

WALKER

Illustrated Parts Manual

*B*27i



Beginning S/N: 184730
P/N 4000-45

KEY TO ABBREVIATIONS USED IN THIS MANUAL

| <i>Abbreviation</i> | <i>What it Represents</i> |
|--------------------------------|--|
| ° (Dimension) | Degrees (Angle) |
| " (Dimension) | inches |
| (-) | Negative (Polarity) |
| (+) | Positive (Polarity) |
| -1 (as deck style designation) | Standard (Aluminum) Gear Drive Deck |
| -2 (as deck style designation) | Heavy Duty (Cast Iron) Gear Drive Deck |
| -3 (as deck style designation) | Belt Drive Deck |
| AT | All-Terrain |
| CCW | Counter-clockwise |
| CW | Clockwise |
| D | Diameter |
| DC | Deck, Collection (number refers to size in inches) |
| DM | Deck, Mulching (number refers to size in inches) |
| DR | Deck, Rear Discharge (number refers to size in inches) |
| DS | Deck, Side Discharge (number refers to size in inches) |
| DU | Garlock (Bearing) |
| ESNA (Fastener) | Nylon Insert Locknut |
| FSC | Forward Speed Control |
| GA | Gauge |
| gal. | gallon |
| GHS | Grass Handling System |
| GR (Fastener) | Grade |
| HD | Heavy Duty |
| HP | Horse Power |
| ID | Identification or Inside Diameter |
| L | Length |
| LH | Left Hand (orientated with operator on seat) |
| LP | Low Profile |
| mm (Dimension) | millimeters |
| MS (Fastener) | Machine Screw |
| NS (as part number) | Item is not sold by Walker Manufacturing |
| OD | Outside Diameter |
| oz. | ounce |
| PFH (Fastener) | Phillips Flat Head |
| P/N | Part Number |
| PPH (Fastener) | Phillips Pan Head |
| PTH (Fastener) | Phillips Truss Head |
| PTO | Power Take-Off |
| QKS | Quick Slide |
| qt. | quart |
| RH | Right Hand (orientated with operator on seat) |
| SAE (Fastener) | Society of Automotive Engineers |
| SBH (Fastener) | Socket Button Head (Bolt) |
| SFH (Fastener) | Slotted Flat Head |
| SHC (Fastener) | Socket Head Cap |
| SHL (Fastener) | Shoulder (Bolt) |
| SM (Fastener) | Sheet Metal (Screw) |
| S/N | Serial Number |
| SQH (Fastener) | Square Head |
| SS (Fastener) | Stainless Steel |
| ST (Fastener) | Self-Tapping (Screw) |
| V | Volts |
| VLR | Very Low Restriction |

NOTE: In some instances, combinations of abbreviations may be used (e.g. PPHMS - Phillips Pan Head Machine Screw).

ILLUSTRATED PARTS LIST

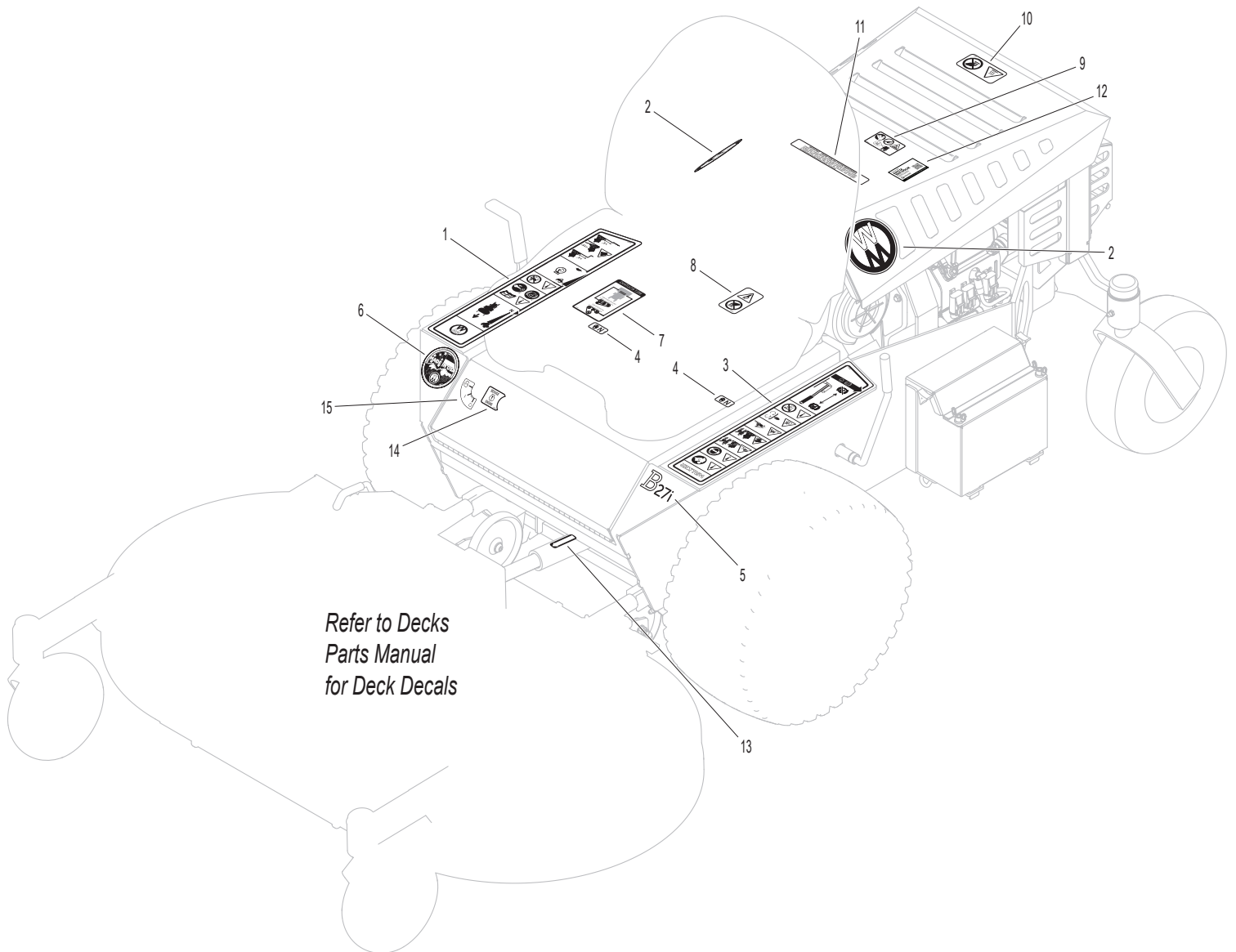
| <i>Section of Tractor Covered</i> | <i>Page</i> | <i>Section of Tractor Covered</i> | <i>Page</i> |
|---|-------------|--|-------------|
| <hr/> | | <hr/> | |
| Decals | | Electrical Components | |
| Tractor Decals | 2 | Electrical Assembly | 16 |
| Body / Chassis Assemblies | | Maintenance | |
| Body / Chassis Assembly | 4 | Lubrication Points | 18 |
| Rear Body Assembly | 6 | Carrier Wheel Fork Installation | 20 |
| Tractor Components | | Wiring Schematic | 21 |
| Main Component Power Transmission | 8 | Maintenance And Service Record Sheet | 22 |
| Engine Group | 10 | Warranty | |
| Hydrostatic Ground Drive Assemblies | 12 | Limited Warranty | 25 |
| Steering Control Assemblies | 14 | | |

TRACTOR DECALS

| ITEM NO. | PART NO. | DESCRIPTION | LOCATION | NO. REQ'D SD |
|--|----------|----------------------------|---|--------------|
| Walker Product and Operation Decals | | | | |
| 1 | 8600-48 | RH Fender | Chassis, RH Side Near Seat | 1 |
| 2 | 5800 | Decal, Round (4") | Rear Body (one on each side) | 2 |
| | 5800-9 | Decal, Round (4-3/4") | Utility Bed (one on each side) | 2 |
| 3 | 8600-49 | LH Fender | Chassis, LH Side Near Seat | 1 |
| 4 | 9804-1 | Axle Lockout | Chassis | 2 |
| 5 | 8821-29 | Decal, B27i | Chassis, Front | 1 |
| 6 | 5856-1 | Made In USA | Chassis, Front | 1 |
| Danger Decals Warning Decals Caution Decals | | | | |
| 7 | 4107-13 | Decal, Belt Routing | Front Body, Underside or Utility Bed, Underside | 1 |
| 8 | 8600-2 | Decal, Rotating Components | Air Cleaner Mount | 1 |
| 9 | 8600-12 | Danger, Engine Exhaust | Rear Body, Underside or Utility Bed, Underside | 1 |
| 10 | 8600-5 | Caution, Engine Exhaust | Rear Body or Utility Bed | 1 |
| Maintenance Decals | | | | |
| 11 | 5855 | Important, Engine Cooling | Body Support | 1 |
| 12 | 6895-103 | Kohler 300 Hour Oil | Oil Cooler / Regulator Mount | 1 |
| 13 | 6875 | PTO Alignment Arrow | Universal Joint Tube Assembly | 1 |
| 14 | 5802-4 | Engine Service Light | Front Body | 1 |
| 15 | 8600-54 | Decal, Ignition Switch | Front Body | 1 |

NOTE: All parts requiring decals are shipped with decals applied.

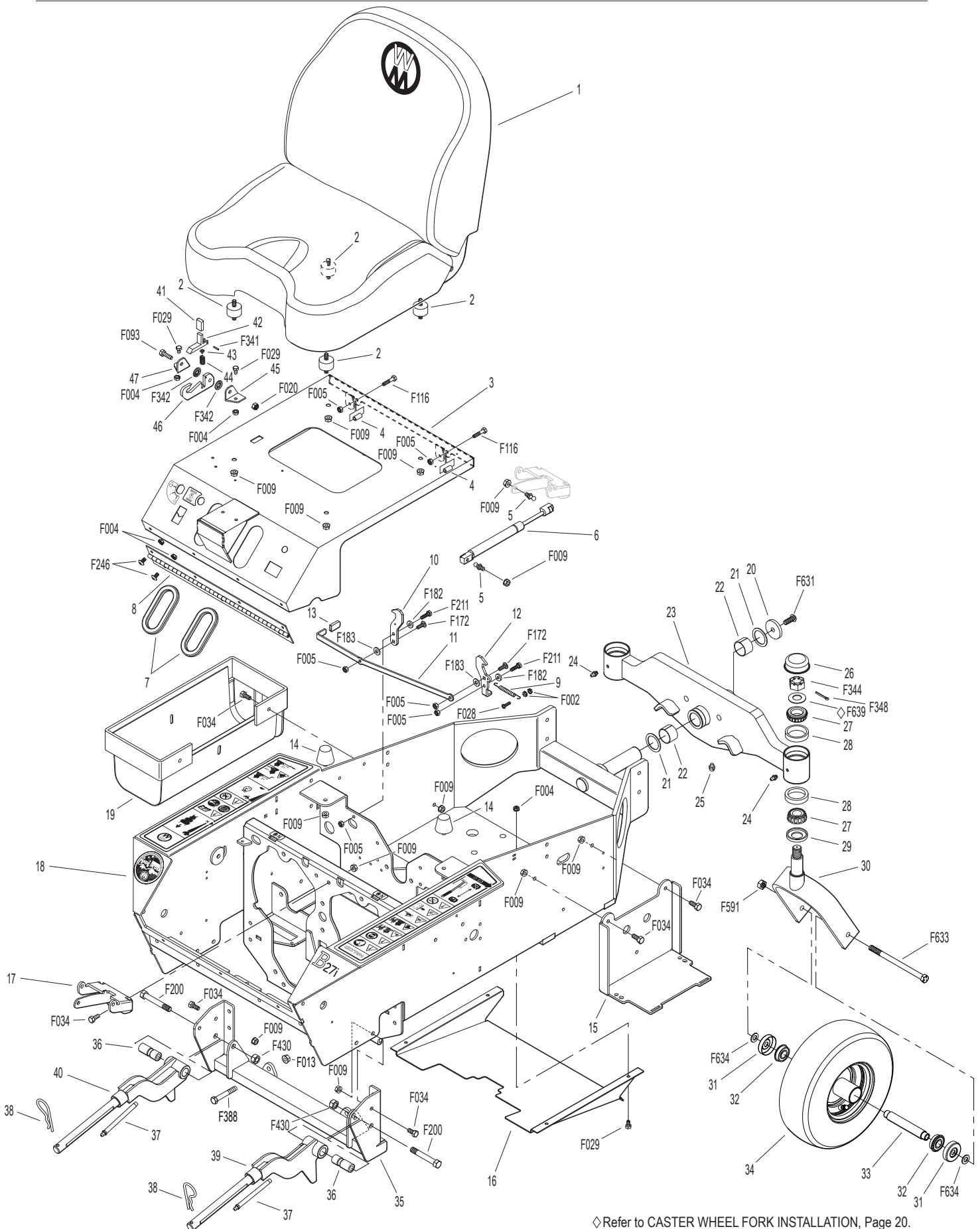
TRACTOR DECALS



BODY / CHASSIS ASSEMBLY

| ITEM NO. | PART NO. | DESCRIPTION | NO. REQ'D | ITEM NO. | PART NO. | DESCRIPTION | NO. REQ'D |
|-----------------------------------|----------|---|-----------|--|----------|---|-----------|
| Seat Assembly | | | | Deck Support Arm & Hitch Assemblies | | | |
| 1 | 6104-31 | Comfort Seat | 1 | 35 | 4301-11 | Deck Arm Support Mount | 1 |
| 2 | 7440-5 | Shock Mount (1-1/4 x 3/4) | 4 | 36 | 6840-3 | Support Arm Bushing (2-1/16) | 2 |
| Body Assembly | | | | 37 | 5830-1 | 5/16-24 4" Grease Fitting | 2 |
| 3 | 4100-9 | Front Body | 1 | 38 | 5775-2 | Hitch Pin (#6) | 2 |
| 4 | 4100-7 | Spacer (1/4 x 3/8 x 3/4) | 2 | 39 | 4431-2 | Deck Support Arm, LH (Includes Item # 37) | 1 |
| 5 | 5146 | 10mm Ball Stud | 2 | 40 | 4430-2 | Deck Support Arm, RH (Includes Item # 37) | 1 |
| 6 | 4145-2 | Gas Spring Assembly (Includes Item # 5) | 1 | Tilt-Up Latch Assembly** | | | |
| 7 | 5180 | Edge Molding / Lever Opening | 2 | 41 | 5847 | Plastic Tip | 1 |
| 8 | 4504-2 | Hinge (17") | 1 | 42 | 5744-20 | Spring Arm, Tilt-Up Latch | 1 |
| Body Latch Assembly | | | | 43 | 5744-10 | Spring Pivot Bushing | 1 |
| 9 | 7222 | Extension Spring (1/4 x 3) | 1 | 44 | 5744-15 | Compression Spring (3/8 x 5/8) | 1 |
| 10 | 7383-12 | Body Latch Hook, RH | 1 | 45 | 5744-13 | Mount Angle, LH | 1 |
| 11 | 7383-9 | Body Latch Trigger | 1 | 46 | 5744-12 | Hook, Tilt-Up Latch | 1 |
| 12 | 7383-15 | Body Latch Hook, LH W/Spring Hole | 1 | 47 | 5744-14 | Mount Angle, RH | 1 |
| 13 | 5854 | Plastic Tip | 1 | Fasteners | | | |
| Chassis Assembly | | | | | F002 | 10-24 Keps Nut | 2 |
| 14 | 5845 | Rubber Bumper (1.50 x 1.25) | 2 | | F004 | 1/4-20 Keps Nut | 13 |
| 15 | 4910-9 | Battery Mount | 1 | | F005 | 1/4-20 ESNA Nut | 6 |
| 16 | 4301-13 | Debris Shield (Includes Items # F004 & F029) | 1 | | F009 | 5/16-18 Whiz Locknut | 18 |
| 17 | 4215-10 | Shock Mount / Body Lift Arm | 1 | | F013 | 3/8-16 Whiz Locknut | 2 |
| 18 | 4305-1 | Chassis Frame | 1 | | F020 | 5/16-18 ESNA Nut | 1 |
| 19 | 2046 | Gas Tank Mount | 1 | | F028 | 10-24 x 3/4 PPHMS | 1 |
| Spread Tail Wheel Assembly | | | | | F029 | 1/4-20 x 1/2 Hex Bolt | 6 |
| 20 | 4401-4 | Washer (1-3/4 x 3/8 x 1/4 Thk) | 1 | | F034 | 5/16-18 x 3/4 Hex Bolt | 10 |
| 21 | 4301-2 | Fiberglide Thrust Washer | 2 | | F093 | 5/16-18 x 1 Hex Bolt | 1 |
| 22 | 4301-3 | Fiberglide Bearing | 2 | | F116 | 1/4-20 x 1-1/4 Hex Bolt | 2 |
| 23 | 4301-14 | Tail Wheel Pivot Axle (Includes Items # 22, 24 & 25) | 1 | | F172 | 1/4-20 x 3/4 Carriage Bolt | 2 |
| 24 | 5830 | Grease Fitting | 2 | | F182 | 1/4 x 5/8 x 1/8 Washer | 2 |
| 25 | 5830-4 | Grease Fitting (90 Deg.) | 1 | | F183 | .312 x .700 x .074 Washer | 2 |
| 26 | 8769-8 | Dust Cap, Deck Caster | 2 | | F200 | 7/16-20 x 3 Grade 8 Bolt | 2 |
| 27 | 8769-6 | Bearing Cone (1" ID) | 4 | | F211 | 1/4-20 x 7/8 Hex Bolt | 2 |
| 28 | 8769-5 | Bearing Cup (2 x 1-5/8) | 4 | | F246 | 1/4-20 x 1/2 PTHMS | 7 |
| 29 | 8769-7 | Seal | 2 | | F341 | Coil Roll Pin (7/64 x 9/16) | 1 |
| 30 | 8765-14 | Caster Wheel Fork | 2 | | F342 | 5/16 Conical Washer | 2 |
| 31 | 8769-13 | Bearing Cup (7/16 ID) | 4 | | F344 | 3/4-16 Slotted Hex Nut | 2 |
| 32 | 5037-1 | Bearing, Tail Wheel | 4 | | F348 | 1/8 x 1-1/2 Cotter Pin | 2 |
| 33 | 5038-3 | Axle Spacer Tube (4.995) (.4375 ID) | 2 | | F388 | 3/8-16 x 2-1/2 Hex Bolt | 2 |
| 34 | 8768-10 | Caster Wheel, Pneumatic (11 x 4-5 PR, BB) (Includes Items # 31-33 & F634) | 2 | | F430 | 7/16-20 ESNA Nut | 2 |
| | 8768-8 | Tire, Pneumatic (11 x 4-5 6-Ply) | * | | F591 | 7/16-14 Flange Top Lock Nut | 2 |
| | | | | | F631 | 3/8-16 x 1 Button Head Cap Screw | 1 |
| | | | | | F633 | 7/16-14 x 6-1/2 Hex Bolt | 2 |
| | | | | | F634 | Washer .835 x .438 x .080 | 4 |
| | | | | | F639 | Belleville Washer (1.5 x .755 x .072) | 2 |
| | | | | * Service Part Only | | | |
| | | | | ** Complete Tilt-Up Latch Assembly Kit available by ordering kit # 5744-5. | | | |

BODY / CHASSIS ASSEMBLY



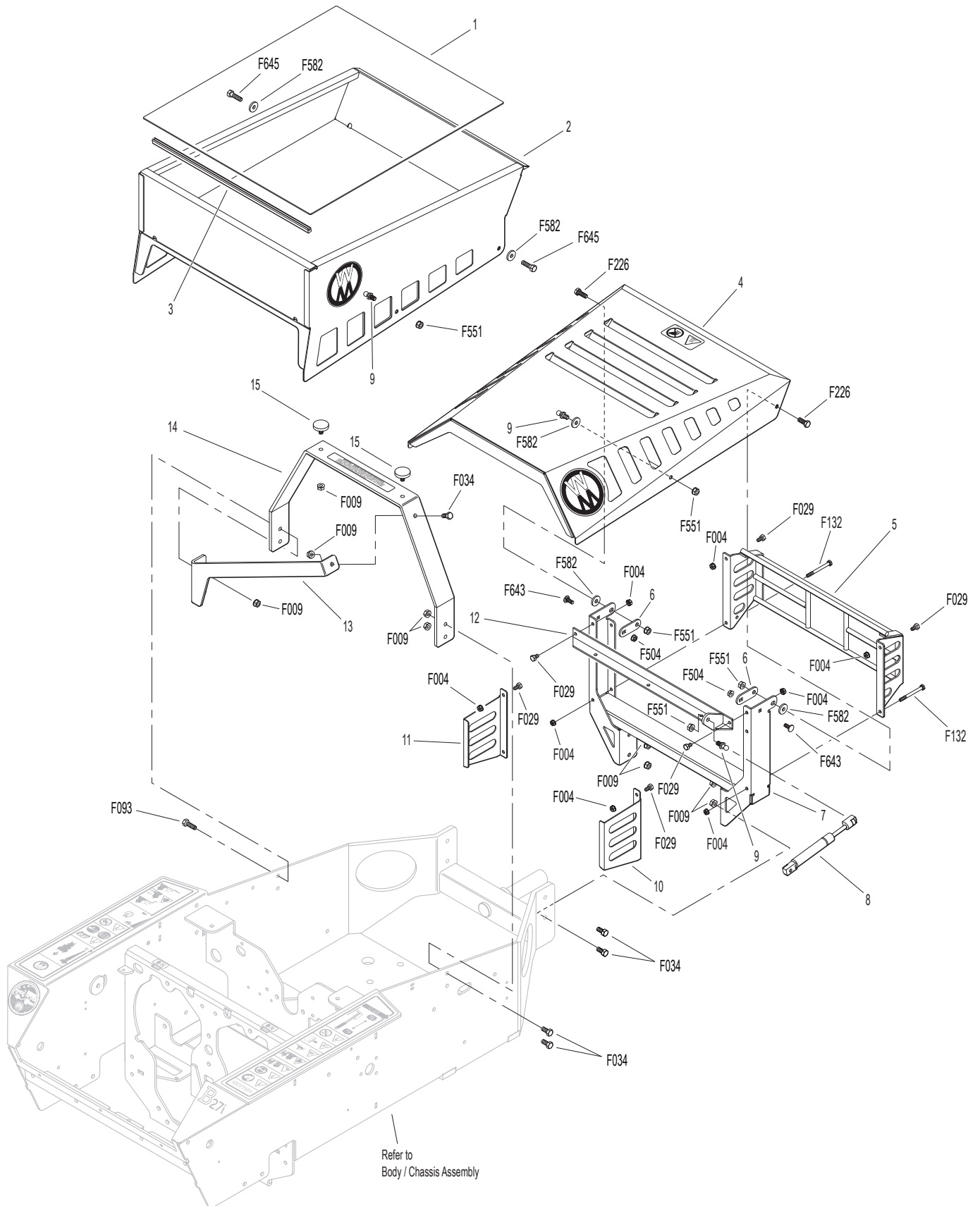
◆ Refer to CASTER WHEEL FORK INSTALLATION, Page 20.

Model B27i Beginning S/N 184730
 Use only genuine **Walker®** replacement parts.

REAR BODY ASSEMBLY

| ITEM NO. | PART NO. | DESCRIPTION | NO. REQ'D | ITEM NO. | PART NO. | DESCRIPTION | NO. REQ'D |
|---------------------------|----------|--------------------------------------|-----------|------------------|----------|--------------------------------------|-----------|
| Utility Bed Option | | | | Fasteners | | | |
| 1 | 8650-13 | Bed Liner (19-1/4 x 22) | 1 | F004 | | 1/4-20 Keps Nut | 8 |
| 2 | 4650-2 | Utility Bed (Includes Items # 1 & 3) | 1 | F009 | | 5/16-18 Whiz Locknut | 11 |
| 3 | M112 | Edge Molding (17-5/8") | 1 | F029 | | 1/4-20 x 1/2 Hex Bolt | 6 |
| Rear Body Assembly | | | | F034 | | 5/16-18 x 3/4 Hex Bolt | 7 |
| 4 | 4105-13 | Rear Body | 1 | F093 | | 5/16-18 x 1 Hex Bolt | 2 |
| 5 | 4013-19 | Muffler Guard | 1 | F132 | | 1/4-20 x 2-3/4 Hex Bolt | 2 |
| 6 | 4013-9 | Body Pivot Plate | 2 | F226 | | 5/16-18 x 7/8 Hex Bolt | 2 |
| 7 | 4104-11 | Rear Body Support | 1 | F504 | | 1/4-20 Whiz Locknut | 2 |
| 8 | 5145-4 | Gas Spring Assembly | 1 | F551 | | 5/16-18 Flange Top Lock Nut | 4 |
| 9 | 5146 | 10mm Ball Stud | 2 | F582 | | Washer 5/16 x 7/8 x .125 | 4 |
| 10 | 4013-7 | Muffler Guard, LH | 1 | F643 | | 1/4-20 x 3/4 Carriage Bolt Flat Head | 2 |
| 11 | 4013-8 | Muffler Guard, RH | 1 | F645 | | 5/16-18 x 1-1/8 Hex Bolt | 2 |
| 12 | 4104-15 | Rear Body Cross Brace | 1 | | | | |
| 13 | 4104-13 | Body Support Brace | 1 | | | | |
| 14 | 4104-12 | Body Support | 1 | | | | |
| 15 | 7844 | Rubber Bumper (1.25 x .250) | 2 | | | | |

REAR BODY ASSEMBLY

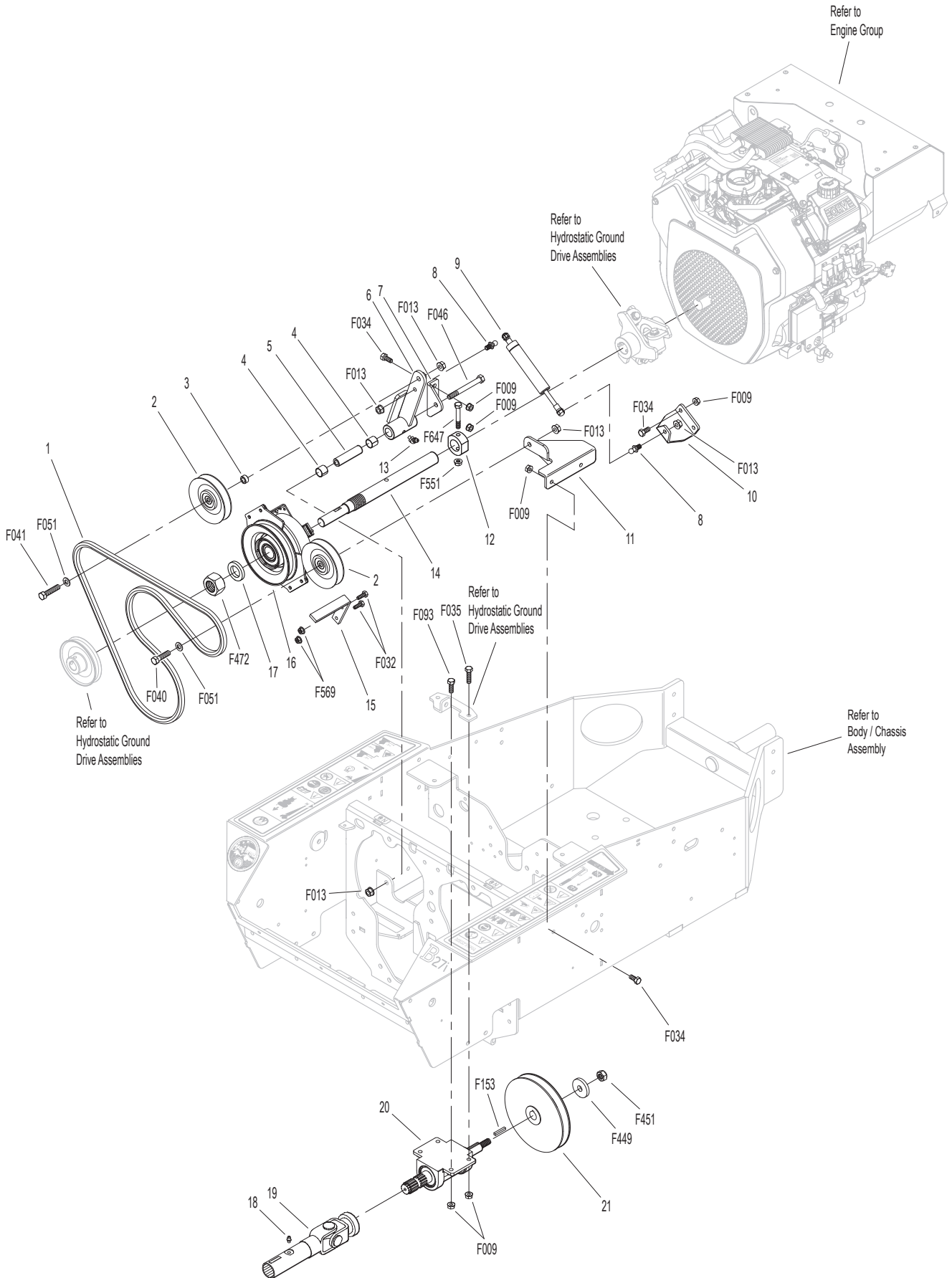


Model B27i Beginning S/N 184730
Use only genuine **Walker**® replacement parts.

MAIN COMPONENT POWER TRANSMISSION

| ITEM NO. | PART NO. | DESCRIPTION | NO. REQ'D | ITEM NO. | PART NO. | DESCRIPTION | NO. REQ'D |
|---------------------------|----------|--|-----------|------------------|--------------------------------|-------------|-----------|
| PTO Drive Assembly | | | | Fasteners | | | |
| 1 | 4230-3 | PTO Drive Belt | 1 | F009 | 5/16-18 Whiz Locknut | | 10 |
| 2 | 5247-2 | V-Groove Idler (4") | 2 | F013 | 3/8-16 Whiz Locknut | | 5 |
| 3 | 6325-2 | Spacer Bushing (5/16) | 1 | F032 | 1/4-20 x 3/4 Hex Bolt | | 2 |
| 4 | 7201-3 | Fiberglide Bearing | 2 | F034 | 5/16-18 x 3/4 Hex Bolt | | 6 |
| 5 | 7201-7 | Inner Race (2-5/8) | 1 | F035 | 5/16-18 x 1-1/4 Hex Bolt | | 2 |
| 6 | 4325-16 | Idler Mount, RH | 1 | F040 | 3/8-16 x 1-1/2 Hex Bolt | | 1 |
| 7 | 4325-17 | Idler Pivot | 1 | F041 | 3/8-16 x 1-3/4 Hex Bolt | | 1 |
| 8 | 5146 | 10mm Ball Stud | 2 | F046 | 3/8-16 x 3-1/2 Hex Bolt | | 1 |
| 9 | 2215-6 | Pressure Dampener | 1 | F051 | 3/8 SAE Washer | | 2 |
| 10 | 4410-18 | Dampener Mount | 1 | F093 | 5/16-18 x 1 Hex Bolt | | 2 |
| 11 | 4325-15 | Idler Mount, LH | 1 | F153 | 3/16 x 3/16 x 1-1/4 Key | | 1 |
| 12 | 4411-6 | Drive Shaft Collar | 1 | F449 | Washer 1/2 x 1-5/8 x 1/4 | | 1 |
| 13 | 5830-3 | Grease Fitting (45 Deg.) | 1 | F451 | 1/2-20 Nylon Locknut | | 1 |
| 14 | 4411-7 | Drive Shaft | 1 | F472 | 1-14 LH Hex Nut | | 1 |
| 15 | 4410-17 | Clutch Stop | 1 | F551 | 5/16-18 Flange Top Lock Nut | | 1 |
| 16 | 4410-15 | Clutch | 1 | F569 | 1/4-20 Flange Top Lock Nut | | 2 |
| 17 | 4410-9 | Washer 1 x 1-5/8 x 1/4 | 1 | F647 | 5/16-18 x 2.0625 Hex Bolt GR 8 | | 1 |
| 18 | 5830 | Grease Fitting | 1 | | | | |
| 19 | 7275-16 | Universal Joint Tube Assembly / Spline | 1 | | | | |
| 20 | 4274-12 | PTO Drive Shaft Assembly / Spline | 1 | | | | |
| 21 | 4236-5 | PTO Drive Pulley | 1 | | | | |

MAIN COMPONENT POWER TRANSMISSION

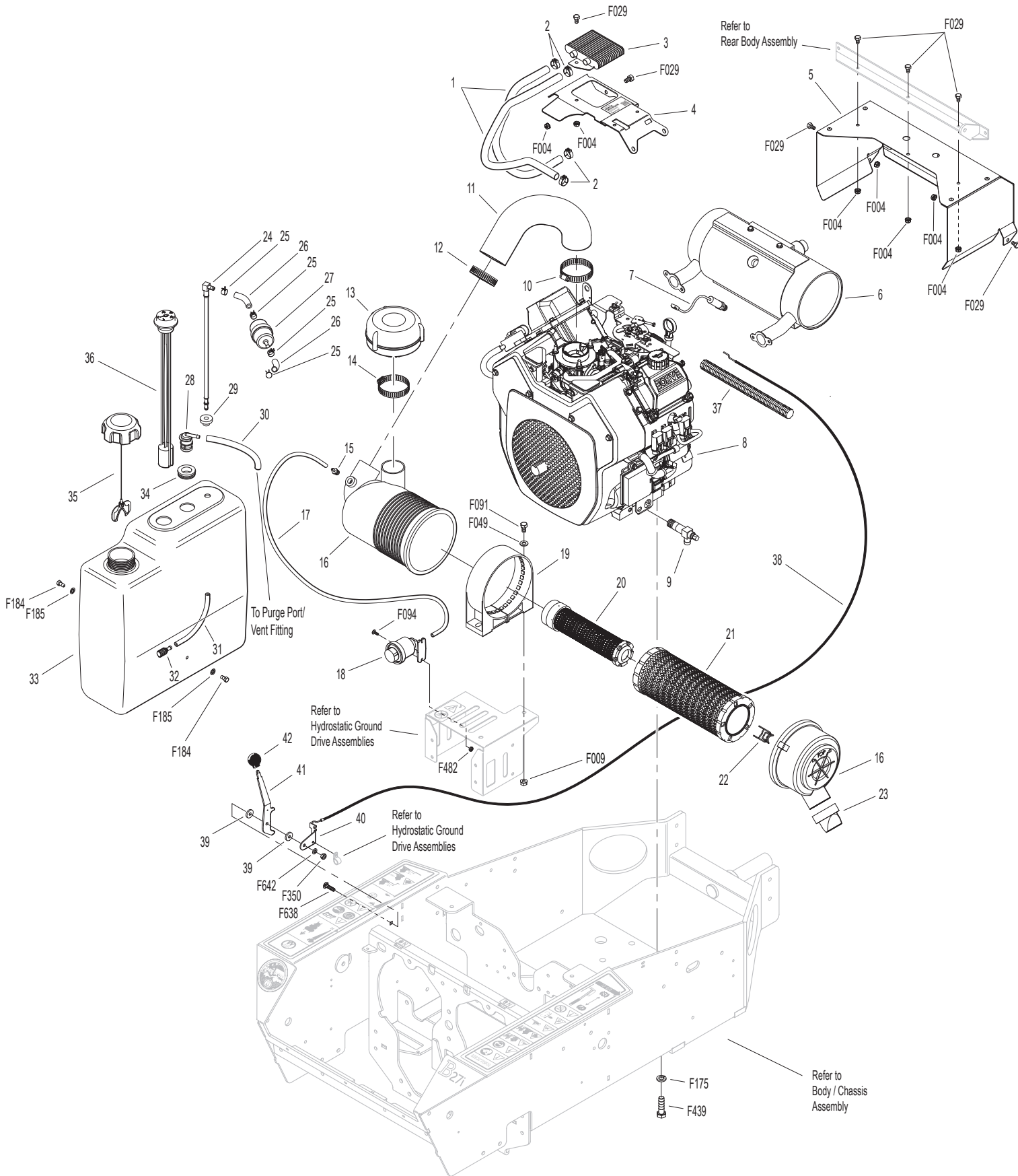


Model B27i Beginning S/N 184730
Use only genuine **Walker**® replacement parts.

ENGINE GROUP

| ITEM NO. | PART NO. | DESCRIPTION | NO. REQ'D | ITEM NO. | PART NO. | DESCRIPTION | NO. REQ'D |
|-----------------------------------|----------|---|-----------|---|----------|-----------------------------------|-----------|
| Remote Oil Cooler Assembly | | | | Throttle Assembly | | | |
| 1 | NS | Oil Cooler Hose | 2** | 37 | 8123-3 | Insultherm (3/8 x 10) | 1 |
| 2 | NS | Clamp | 4** | 38 | 5108-24 | Throttle Cable (56") | 1 |
| 3 | NS | Oil Cooler | 1** | 39 | 5108-10 | Friction Washer (.125) | 2 |
| 4 | 8016-8 | Oil Cooler / Regulator Mount | 1 | 40 | 5108-21 | Control Bracket | 1 |
| Engine Assembly | | | | 41 | 5108-20 | Control Lever, Throttle | 1 |
| 5 | 4013-18 | Muffler Heat Shield | 1 | 42 | 5108-5 | Throttle Control Knob, Red | 1 |
| 6 | NS | Muffler | 1 | Fasteners | | | |
| 7 | NS | Sensor, Oxygen (Kohler) | 1 | F004 | | 1/4-20 Keps Nut | 7 |
| 8 | NS | 27 HP Engine, EFI (Kohler) | 1 | F009 | | 5/16-18 Whiz Locknut | 2 |
| 9 | 4010-1 | Drain Valve 3/8-18 NPTF | 1 | F029 | | 1/4-20 x 1/2 Hex Bolt | 7 |
| Precleaner Assembly | | | | F049 | | 5/16 SAE Washer | 2 |
| 10 | 6029 | Hose Clamp (1-13/16 to 2-3/4) | 1 | F091 | | 5/16-18 x 5/8 Hex Bolt | 2 |
| 11 | 6087-8 | Air Intake Hose | 1 | F094 | | 8-32 x 1/2 PTHMS | 2 |
| 12 | 7840-5 | Hose Clamp (1.56 to 2.50) | 1 | F175 | | 1/2 Split Lock Washer | 4 |
| 13 | 7026-4 | Remote Precleaner | 1 | F184 | | 1/4-20 x 1/2 Hex Bolt, SS | 2 |
| 14 | 7840 | Hose Clamp (1-5/16 to 2-1/4) | 1 | F185 | | 1/4 Internal Star Lock Washer, SS | 2 |
| 15 | 5091-0 | 1/8 Pipe Thread Male W/Barb | 1 | F350 | | 1/4-20 LP Nylock | 1 |
| 16 | 4090-1 | Air Cleaner Assembly (Includes Items # 20-23) | 1 | F439 | | 1/2-13 x 1-3/4 Hex Bolt | 4 |
| 17 | M258 | Vacuum Hose (13") | 1* | F482 | | 8-32 Nylock Nut | 2 |
| 18 | 5091-19 | Air Flow Indicator W/Bracket (Vacuum 15" H2O) | 1 | F638 | | 1/4-20 x 1 Carriage Bolt | 1 |
| 19 | 5088-4 | Air Cleaner Band | 1 | F642 | | 1/4 x .042 Belleville Washer | 1 |
| 20 | 5090-7 | Safety Filter Insert | 1 | * Required hose specifications: | | | |
| 21 | 5090-8 | Air Cleaner Cartridge | 1 | M113 - 3/16" ID fuel/oil/vapor hose (Gates 4219-0093 or equivalent) | | | |
| 22 | 5088-5 | Air Cleaner Draw Latch | 2 | M246 - 1/4" ID low permeation (<15g/m ² /day) fuel hose (Parker 38904 or equivalent) | | | |
| 23 | 5090-2 | Vacuator Valve | 1 | M258 - 7/64" ID automotive vacuum hose | | | |
| Fuel Tank Assembly | | | | ** Use the engine model and spec number from Kohler to order this item. | | | |
| 24 | 5083-8 | Tank Tube (13") | 1 | | | | |
| 25 | 5879-3 | Hose Clamp (1/2) | 4 | | | | |
| 26 | M246 | Fuel Line (1/4 x 2-1/2") | 2* | | | | |
| 27 | 5020-3 | Fuel Filter, EFI (9-12 Micron) | 1 | | | | |
| 28 | 8043-8 | Roll Over Valve | 1 | | | | |
| 29 | 5083-1 | Bushing, Rubber | 1 | | | | |
| 30 | M113 | Fuel Line (3/16 x 6-1/2") | 1* | | | | |
| 31 | 5086-7 | Hose (1/4 x 6) | 1 | | | | |
| 32 | 5020-2 | Fuel Filter, In Tank | 1 | | | | |
| 33 | 8055-1 | Fuel Tank, 4.7 Gallon (Black) (Includes Items # 24, 28, 29, 31, 32, 34 & 36) | 1 | | | | |
| 34 | 5977-7 | Roll Over Grommet (.900 x 1-1/2) | 1 | | | | |
| 35 | 5082-4 | 2-1/4 Ratchet Fuel Cap (EPA) | 1 | | | | |
| 36 | 8055-2 | Fuel Tank Gauge | 1 | | | | |

ENGINE GROUP

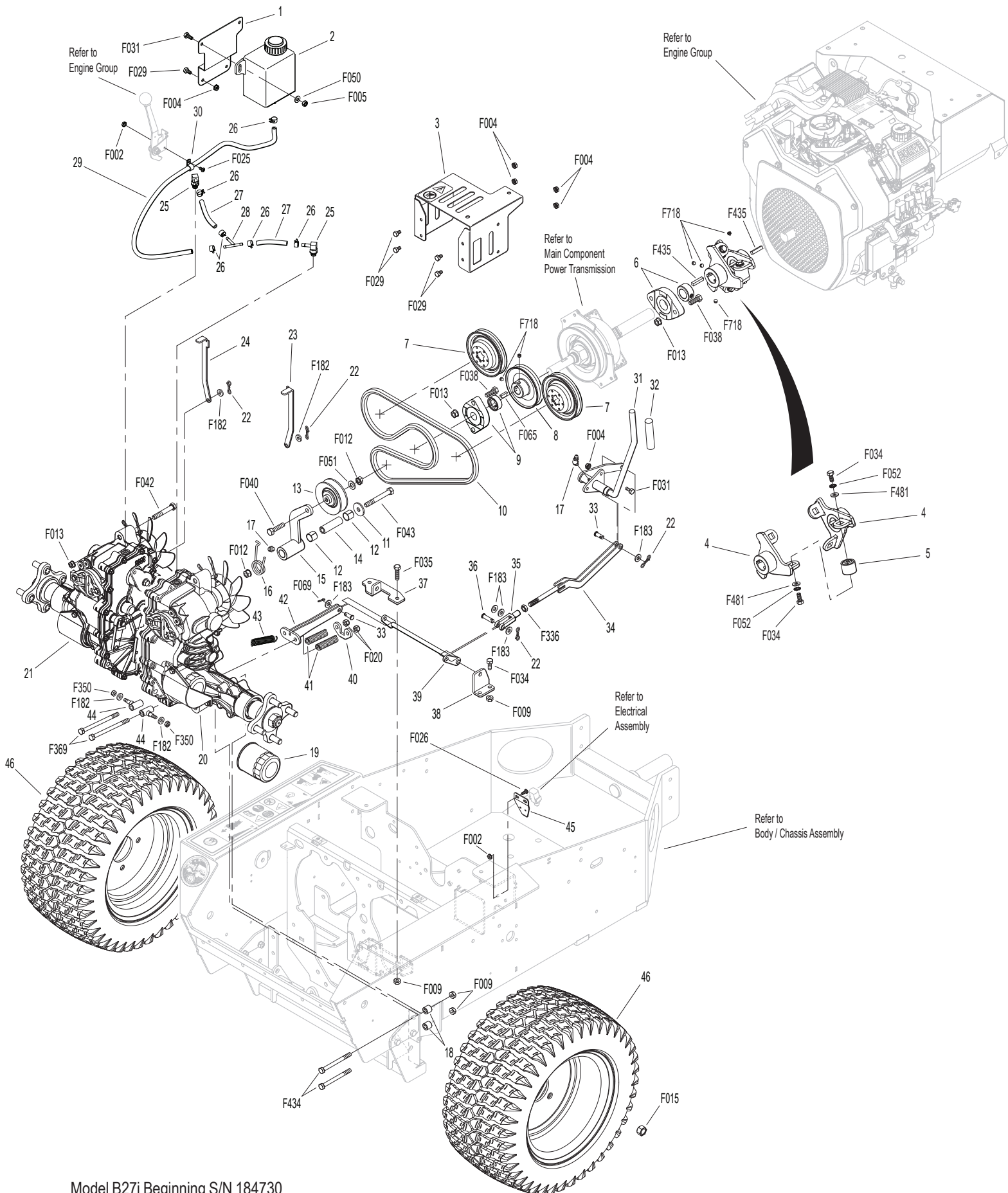


Model B27i Beginning S/N 184730
Use only genuine Walker® replacement parts.

HYDROSTATIC GROUND DRIVE ASSEMBLIES

| ITEM NO. | PART NO. | DESCRIPTION | NO. REQ'D | ITEM NO. | PART NO. | DESCRIPTION | NO. REQ'D |
|--------------------------------|----------|---|-----------|--|----------|--|-----------|
| Ground Drive Assemblies | | | | Wheel Assembly | | | |
| 1 | 4023-1 | Oil Expansion Reservoir Mount | 1 | 46 | 5075-3 | LP Wheel & Tire Assembly (18 x 8.50-10) | 2 |
| 2 | 4023 | Oil Expansion Reservoir | 1 | | 5075-2 | LP Tire (18 x 8.50-10) | * |
| 3 | 4010-18 | Air Cleaner Mount | 1 | | 5075-5 | LP Wheel (10 x 7) | * |
| 4 | 2351-50 | Flex Coupler Half (Includes Items # F435 & F718) | 2 | | 8075-4 | LP Wheel & Tire (18 x 10.50-10) | *** |
| | | | | | 8075-6 | LP Tire (18 x 10.50-10) | * |
| 5 | 2351-1 | Rubber Iso Coupler | 3 | | 8070-12 | AT Wheel & Tire RH/LH (18 x 11.00-10) | *** |
| 6 | 4349-12 | Flanged Bearing (1") | 1 | | 8070-13 | AT Tire RH/LH (18 x 11.00-10) | * |
| 7 | 4026-9 | Pulley (53804) | 2 | | 8070-11 | AT/LP Wheel (10 x 8.5) | * |
| 8 | 4240-1 | Drive Pulley (Includes Items # F065 & F718) | 1 | | 5076-3 | BT Wheel & Tire Assembly (20 x 10.00-10) | ***Δ |
| | | | | | 5076-4 | BT Tire (20 x 10.00-10) | *Δ |
| 9 | 6349-2 | Flanged Bearing (3/4") | 1 | | 5076-2 | BT Wheel (10 x 7.00) | *Δ |
| 10 | 4230-2 | Ground Drive Belt | 1 | Fasteners | | | |
| 11 | 5841 | Retainer Washer (3/8 x 1-1/4) | 1 | | F002 | 10-24 Keps Nut | 3 |
| 12 | 7201-3 | Fiberglide Bearing | 2 | | F004 | 1/4-20 Keps Nut | 9 |
| 13 | 4245 | Idler Pulley (3/A) | 1 | | F005 | 1/4-20 ESNA Nut | 2 |
| 14 | 7201-5 | Inner Race (2-1/4) | 1 | | F009 | 5/16-18 Whiz Locknut | 8 |
| 15 | 4325-13 | Idler Arm (Includes Items # 12 & 17) | 1 | | F012 | 3/8-16 Keps Nut | 2 |
| 16 | 7364-2 | Torsion Spring | 1 | | F013 | 3/8-16 Whiz Locknut | 6 |
| 17 | 5830-3 | Grease Fitting (45 Deg.) | 2 | | F015 | 1/2-20 Wheel Lug Nut | 8 |
| 18 | 9430-1 | Spacer Tube | 4 | | F020 | 5/16-18 ESNA Nut | 2 |
| 19 | 2026-6 | Hydro-Gear® Oil Filter (52114) | 2 | | F025 | 10-24 x 3/8 PPHMS | 1 |
| 20 | 4025-35 | Hydro-Gear ZT-3100, LH | 1 | | F026 | 10-24 x 1/2 PPHMS | 2 |
| 21 | 4026-35 | Hydro-Gear ZT-3100, RH | 1 | | F029 | 1/4-20 x 1/2 Hex Bolt | 6 |
| 22 | 4407-4 | Bow Tie Cotter Pin | 4 | | F031 | 1/4-20 x 5/8 Hex Bolt | 5 |
| 23 | 2028-5 | Lockout Arm, LH | 1 | | F034 | 5/16-18 x 3/4 Hex Bolt | 8 |
| 24 | 2028-6 | Lockout Arm, RH | 1 | | F035 | 5/16-18 x 1-1/4 Hex Bolt | 2 |
| 25 | 2025-17 | Straight Thread Hose Fitting | 2 | | F038 | 3/8-16 x 1 Hex Bolt | 4 |
| 26 | 5879-3 | Hose Clamp (1/2) | 6 | | F040 | 3/8-16 x 1-1/2 Hex Bolt | 1 |
| 27 | M111 | Hose (1/4 x 3-1/4) | 2** | | F042 | 3/8-16 x 2-1/4 Hex Bolt | 2 |
| 28 | 8043-11 | 1/4 Barb Fitting "Y" Connector | 1 | | F043 | 3/8-16 x 3 Hex Bolt | 1 |
| 29 | M111 | Hose (1/4 x 27") | 1** | | F050 | 1/4 SAE Washer | 2 |
| 30 | 5833-1 | Cable Clamp (1/4 x 1/4) | 1 | | F051 | 3/8 SAE Washer | 1 |
| Parking Brake Assembly | | | | | F052 | 5/16 Ext. Star Lock Washer | 6 |
| 31 | 4406-46 | Parking Brake Lever (Includes Items # 17, 32 & 34) | 1 | | F065 | 3/16 x 3/4 Woodruff Key (#606) | 1 |
| | | | | | F069 | 3/32 x 1/2 Cotter Pin | 1 |
| 32 | 7406-1 | Handle Grip, Red | 1 | | F182 | 1/4 x 5/8 x 1/8 Washer | 4 |
| 33 | 8655-4 | Clevis Pin (5/16 x 3/4) | 2 | | F183 | .312 x .700 x .074 Washer | 5 |
| 34 | 4406-42 | Brake Actuator Pull | 1 | | F336 | 3/8-16 Jam Nut | 1 |
| 35 | 2280 | Clevis (3/8) | 1 | | F350 | 1/4-20 LP Nylock | 2 |
| 36 | 2406-4 | Clevis Pin (5/16 x 1-1/8) | 1 | | F369 | 5/16-18 x 4-1/2 Hex Bolt | 2 |
| 37 | 4401-6 | Parking Brake Mount | 1 | | F434 | 5/16-18 x 3-1/2 Hex Bolt | 4 |
| 38 | 4401-7 | Parking Brake Pivot | 1 | | F435 | 1/4 x 1/4 x 1-1/4 Key | 2 |
| 39 | 4407-3 | Parking Brake Actuator | 1 | | F481 | Washer 5/16 x 1 x .125 | 6 |
| 40 | 4407-27 | Parking Brake Bolt Stabilizer | 1 | | F718 | 5/16-18 x 5/16 Set Screw (Knurl Point) | 6 |
| 41 | 5665-1 | Compression Spring (2-1/2) | 2 | * Service Part Only | | | |
| 42 | 4407 | Parking Brake Link | 1 | ** Required hose specifications: M111 - 1/4" ID fuel/oil/vapor hose (Gates 4219-0103 or equivalent) | | | |
| 43 | 5222 | Extension Spring (1/2 x 3-1/4) | 1 | *** May be ordered as a factory-installed option or for dealer installation. Narrow Drive Tires are used when installing a 36" Deck. Contact your Walker dealer. | | | |
| 44 | 5463 | Steering Lever Actuator | 2 | Δ Used only when Big Tire Option is installed | | | |
| 45 | 5942-18 | Parking Brake Safety Switch Mount | 1 | | | | |

HYDROSTATIC GROUND DRIVE ASSEMBLIES

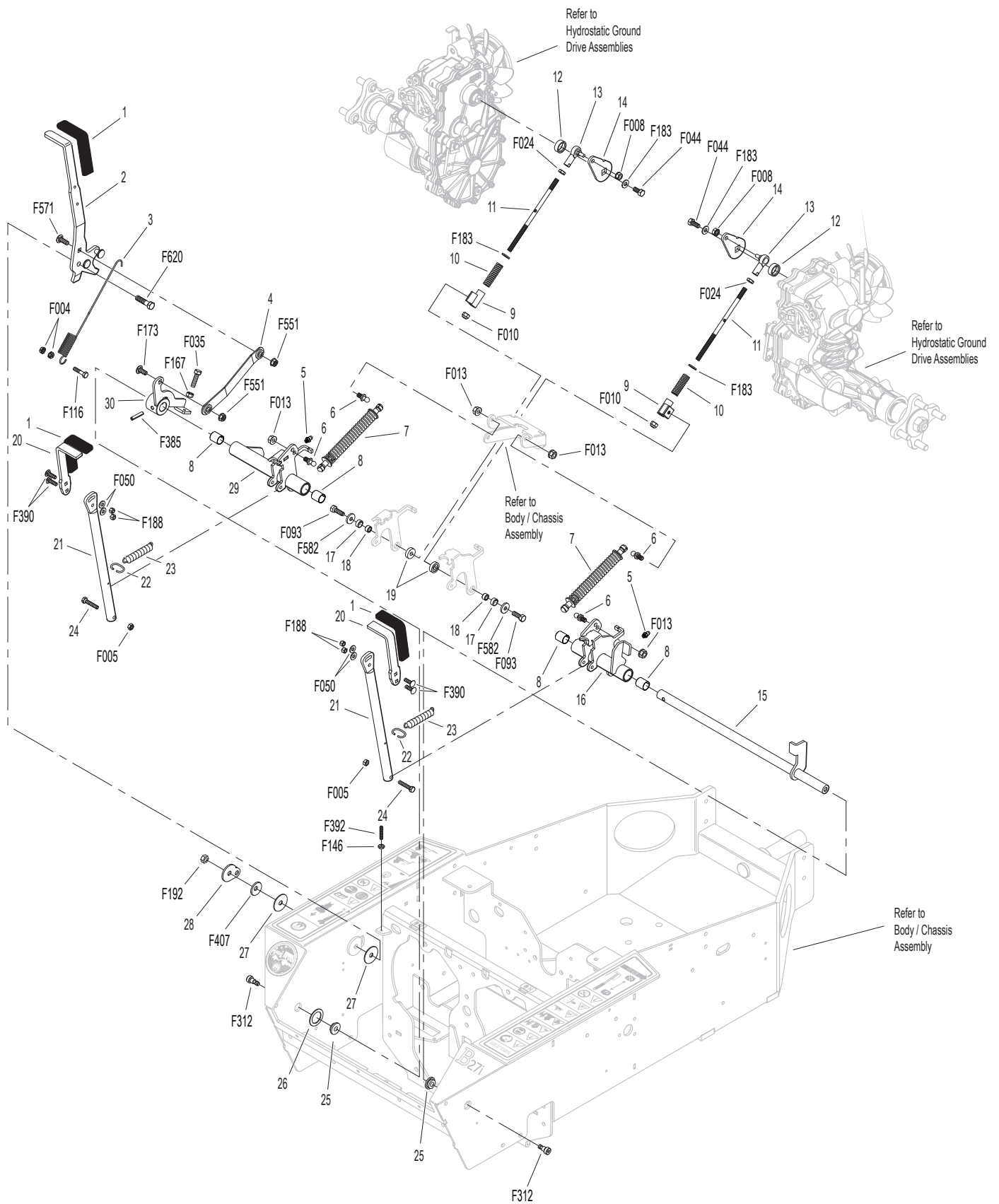


Model B27i Beginning S/N 184730
 Use only genuine **Walker**® replacement parts.

STEERING CONTROL ASSEMBLIES

| ITEM NO. | PART NO. | DESCRIPTION | NO. REQ'D | ITEM NO. | PART NO. | DESCRIPTION | NO. REQ'D |
|--|----------|---|-----------|------------------|-----------------------------------|-------------|-----------|
| Steering Lever & FSC Assemblies | | | | Fasteners | | | |
| 1 | 5850-2 | Handle Grip, Foam (5-1/2) | 3 | F004 | 1/4-20 Keps Nut | | 2 |
| 2 | 4170-2 | FSC Lever | 1 | F005 | 1/4-20 ESNA Nut | | 2 |
| 3 | 4219-1 | Extension Spring | 1 | F008 | 5/16-24 Keps Nut | | 2 |
| 4 | 4170-3 | FSC Linkage | 1 | F010 | 5/16-24 ESNA Nut | | 2 |
| 5 | 5830 | Grease Fitting | 2 | F013 | 3/8-16 Whiz Locknut | | 4 |
| 6 | 5146 | 10mm Ball Stud | 4 | F024 | 5/16-24 Jam Nut | | 2 |
| 7 | 4199-4 | Steering Lever Dampener Assembly | 2 | F035 | 5/16-18 x 1-1/4 Hex Bolt | | 1 |
| 8 | 8201-3 | Fiberglide Bearing | 4 | F044 | 5/16-24 x 3/4 Hex Bolt | | 2 |
| 9 | 5463-4 | Steering Lever Actuator | 2 | F050 | 1/4 SAE Washer | | 4 |
| 10 | 5665-1 | Compression Spring (2-1/2) | 2 | F093 | 5/16-18 x 1 Hex Bolt | | 2 |
| 11 | 2213 | Control Rod (7) | 2 | F116 | 1/4-20 x 1-1/4 Hex Bolt | | 1 |
| 12 | 2212-3 | Seal Retainer | 2 | F146 | 1/4-20 Jam Nut | | 1 |
| 13 | 5214-2 | Ball Joint (5/16-24) (Nylon Lined) | 2 | F167 | 5/16-18 Hex Nut | | 1 |
| 14 | 6212-4 | Transmission Control Arm | 2 | F173 | 5/16-18 x 3/4 Carriage Bolt | | 1 |
| 15 | 4451-16 | Steering Pivot Shaft W/Stop | 1 | F183 | .312 x .700 x .074 Washer | | 4 |
| 16 | 6451-1 | Speed Control Actuator, LH (Includes Items # 5 & 8) | 1 | F188 | 1/4-20 Self-Locking Nut | | 4 |
| 17 | 7201-2 | Fiberglide Bearing (1/2") | 2 | F192 | 3/8-24 Self-Locking Nut | | 1 |
| 18 | 5463-5 | Steering Arm Pivot Bushing (SS) | 2 | F312 | 3/8 x 3/8 Shoulder Bolt | | 2 |
| 19 | 5463-6 | Washer 5/16 x 3/4 x .250 | 2 | F385 | 1/4 x 1-1/4 Roll Pin | | 1 |
| 20 | 5453-14 | Steering Lever Handle / Adjustable (Includes Items # 1, F050, F188 & F390) | 2 | F390 | 1/4-20 x 7/8 Carriage Bolt | | 4 |
| 21 | 6452-1 | Steering Lever Tube W/Tab | 2 | F392 | 1/4-20 x 1 Set Screw, SS | | 1 |
| 22 | 5450 | D-Clip | 2 | F407 | Belleville Washer 3/8 x 1.187, SS | | 1 |
| 23 | 5222 | Extension Spring (1/2 x 3-1/4) | 2 | F551 | 5/16-18 Flange Top Lock Nut | | 2 |
| 24 | 4452-6 | Steering Pivot (1/4-20 x 1-5/8) | 2 | F571 | 5/16-18 x 7/8 Carriage Bolt | | 1 |
| 25 | 9704-3 | Pivot Rod Bushing / Plastic | 2 | F582 | Washer 5/16 x 7/8 x .125 | | 2 |
| 26 | 4142-2 | FSC Friction Washer (1-1/2 x 1-1/32 x 1/16) | 1 | F620 | 3/8-24 x 1-1/2 Hex Bolt | | 1 |
| 27 | 5141 | FSC Friction Washer (1-1/2 x 3/8 x 1/16) | 2 | | | | |
| 28 | 4142-1 | FSC Cam | 1 | | | | |
| 29 | 6451-4 | Speed Control Actuator, RH (Includes Items # 5 & 8) | 1 | | | | |
| 30 | 4451-17 | FSC Friction Actuator | 1 | | | | |

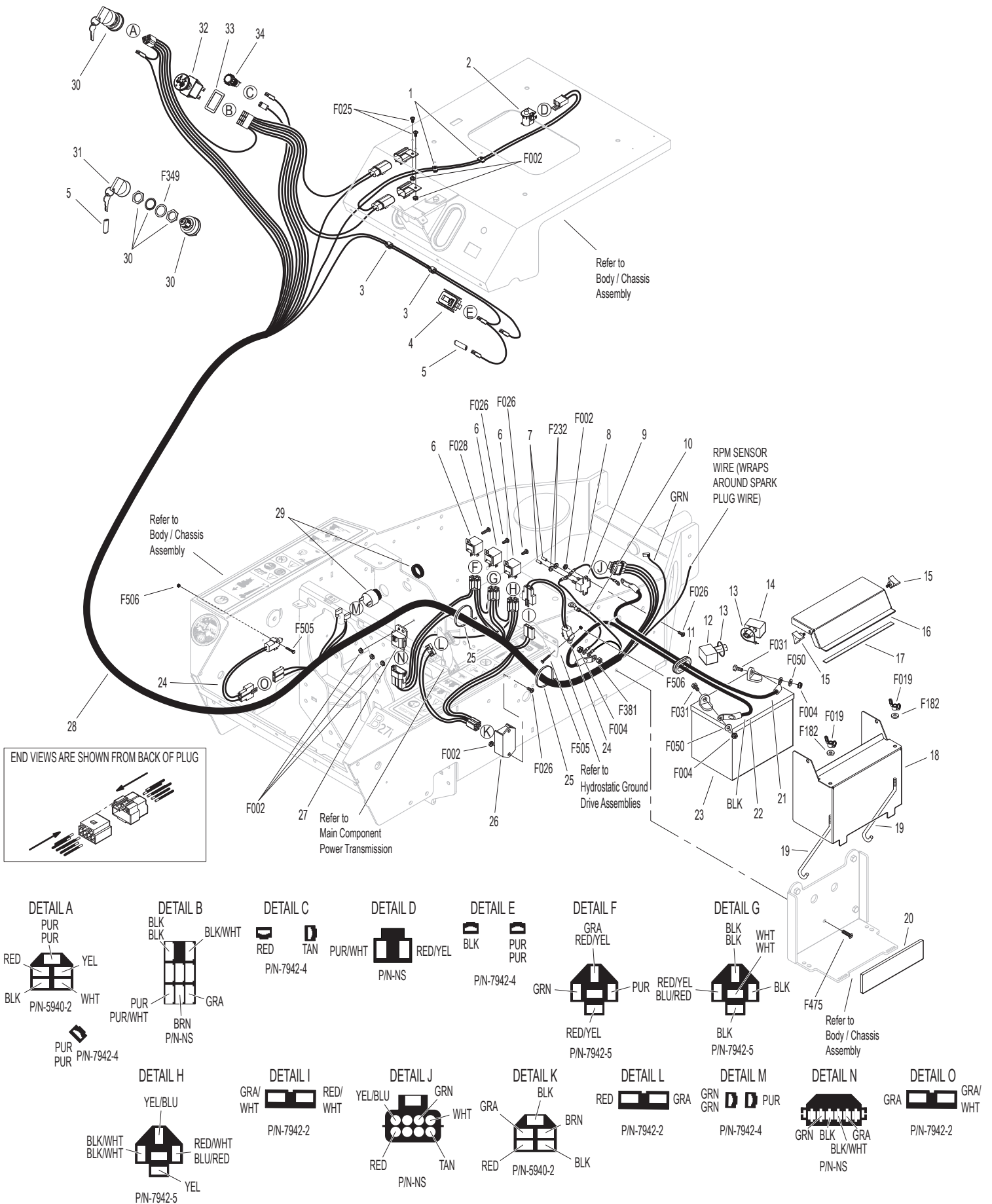
STEERING CONTROL ASSEMBLIES



ELECTRICAL ASSEMBLY

| ITEM NO. | PART NO. | DESCRIPTION | NO. REQ'D | ITEM NO. | PART NO. | DESCRIPTION | NO. REQ'D |
|----------------------------|----------|---|-----------|------------------|----------|-----------------------------|-----------|
| Electrical Assembly | | | | Fasteners | | | |
| 1 | 7834-3 | Wire Saddle (3 Wires) | 2 | F002 | | 10-24 Keps Nut | 9 |
| 2 | 6104-11 | Seat Switch (NO) | 1 | F004 | | 1/4-20 Keps Nut | 4 |
| 3 | 5832 | Cable Clamp (1/2) | 2 | F019 | | 1/4-20 ESNA Wing Nut | 2 |
| 4 | 8990-1 | Hourmeter (Global) | 1 | F025 | | 10-24 x 3/8 PPHMS | 2 |
| 5 | 7854 | Plastic Tip, Red | 2 | F026 | | 10-24 x 1/2 PPHMS | 6 |
| 6 | 6941-9 | Relay Switch 30/40 Amp | 3 | F028 | | 10-24 x 3/4 PPHMS | 1 |
| 7 | 8404-8 | Plastic Cover, Red | 2 | F031 | | 1/4-20 x 5/8 Hex Bolt | 2 |
| 8 | 4940-11 | Jumper Wire | 1 | F050 | | 1/4 SAE Washer | 2 |
| 9 | 8941 | Circuit Breaker (30 Amp) Auto Reset/Sealed | 1 | F182 | | 1/4 x 5/8 x 1/8 Washer | 2 |
| 10 | 7938 | Lead Wire, Battery Charge (Alternator to Starter) | 1 | F232 | | 10-32 Keps Nut | 2 |
| 11 | 7977-4 | Grommet (7/8 x 1-1/4 x 3/16) | 1 | F349 | | Washer .835 ID 1.122 OD, SS | 1 |
| 12 | 5932 | Battery Terminal Insulation Black (-) | 1 | F381 | | 1/4-20 Hex Nut | 1 |
| 13 | 5975-1 | Cable Tie (18# x 3-3/4") | 2 | F475 | | 1/4-20 x 1 PFH Screw | 1 |
| 14 | 5933 | Battery Terminal Insulation Red (+) | 1 | F505 | | 6-32 x 7/8 Hex Trim MS, SS | 4 |
| 15 | 2703-5 | Knob, 10-24 x 1/2 | 2 | F506 | | 6-32 Nylock Nut | 4 |
| 16 | 4910-11 | Cover Plate With Foam (Includes Item # 17) | 1 | | | | |
| 17 | 8790-1 | Rubber Strip | 1 | | | | |
| 18 | 4910-10 | Battery Hold Down Bracket | 1 | | | | |
| 19 | 5839 | Hook Bolt | 2 | | | | |
| 20 | 5910-6 | Battery Spacer Pad | 1 | | | | |
| 21 | 4940-26 | Battery Cable (15") | 1 | | | | |
| 22 | 6923-4 | Battery Cable, 13-1/2" (-) | 1 | | | | |
| 23 | 7910-3 | Battery (12V/350A CCA) | 1 | | | | |
| 24 | 5942-8 | Safety Switch (NO), Delta Side Mount | 2 | | | | |
| 25 | 5975-3 | Cable Tie (50# x 7") | 2 | | | | |
| 26 | 4410-16 | Soft Start Control | 1 | | | | |
| 27 | 7948-6 | Time Delay Module (.5 Second Delay) | 1 | | | | |
| 28 | 4940-24 | Wire Harness | 1 | | | | |
| 29 | 8536 | Warning Horn | 1 | | | | |
| 30 | 8960-15 | Ignition Switch W/Keys (Includes Items # 5, 31 & F349) | 1 | | | | |
| 31 | 8960-3 | Key Set W/Umbrella | 1 | | | | |
| 32 | 4950 | PTO Switch | 1 | | | | |
| 33 | 4950-11 | PTO Switch Spacer | 1 | | | | |
| 34 | 8996-9 | Red Indicator Light Assembly | 1 | | | | |

ELECTRICAL ASSEMBLY

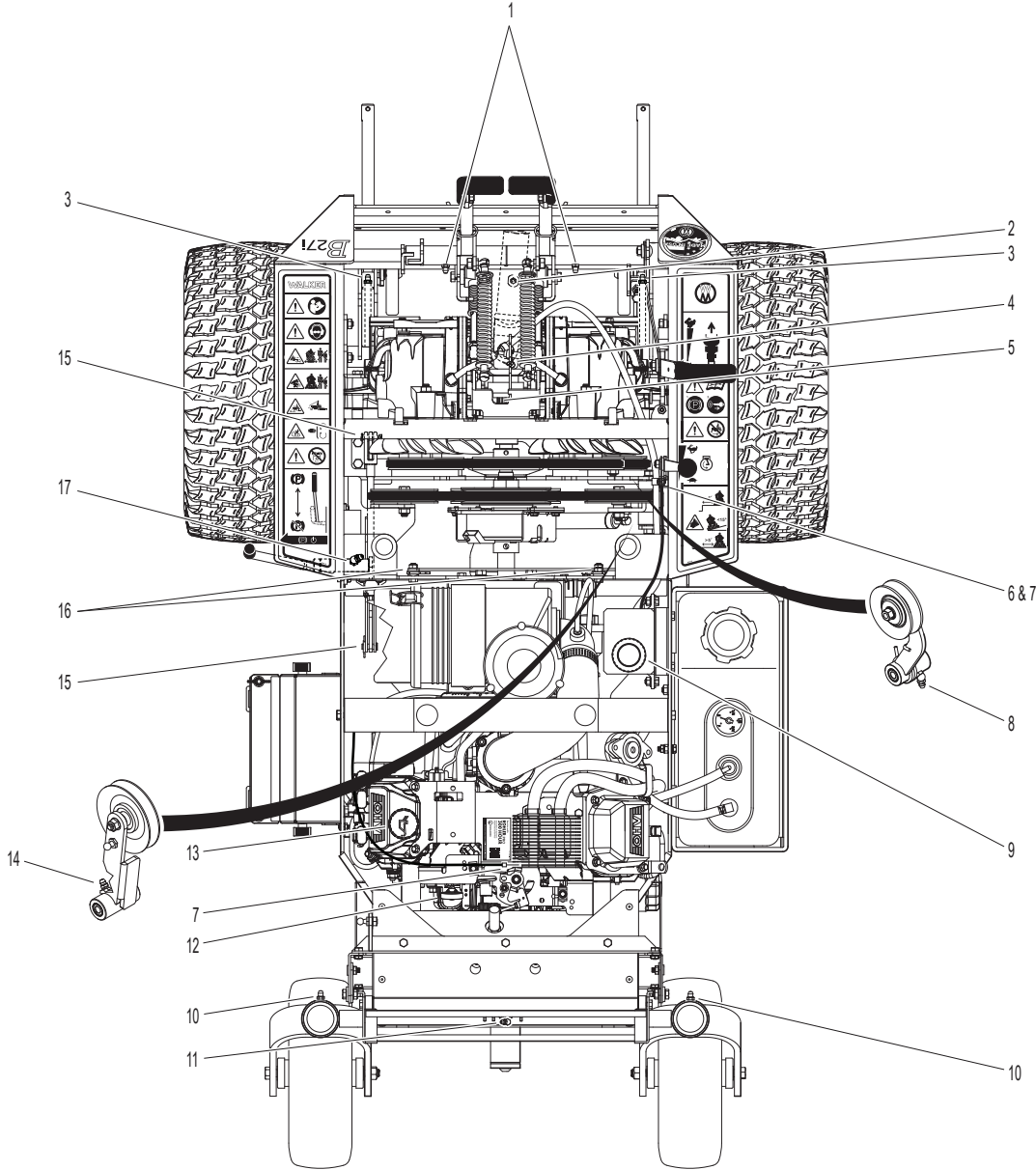


Model B27i Beginning S/N 184730
 Use only genuine **Walker®** replacement parts.

LUBRICATION POINTS

| ITEM NO. | LOCATION | LUBRICATION TYPE | NO. PLACES | ITEM NO. | LOCATION | LUBRICATION TYPE | NO. PLACES |
|---------------------------|---|------------------|------------|--|--------------------------------|------------------|------------|
| Lubrication Points | | | | 12 | Engine Dipstick | Oil** | 1 |
| 1 | Steering Lever Pivot | Grease | 2 | 13 | Engine Oil Fill | Oil** | 1 |
| 2 | Deck-to-PTO Coupling (Grease Spline Slide Area) | Grease | 1 | 14 | PTO Belt Tightener Idler Pivot | Grease | 1 |
| 3 | Deck Support Arm Pivot | Grease | 2 | 15 | Parking Brake Clevis | Oil | 2 |
| 4 | Universal Joint Tube Assembly | Grease* | 1 | 16 | Body Latch Pivot | Oil | 2 |
| 5 | Universal Joint Quick Connect Spline (Grease Slide Area) | Grease | 1 | 17 | Parking Brake Lever Pivot | Grease | 1 |
| 6 | Throttle Control Pivot | Oil | 1 | * Grease every 25 hours. | | | |
| 7 | Throttle Control Cable Ends | Oil | 2 | ** Refer to B27i Operator's Manual for procedure for checking and changing oil in Engine Crankcase. | | | |
| 8 | Ground Drive Idler Pivot | Grease | 1 | NOTE: See Model B27i Operator's Manual (P/N 4000-46) for proper lubrication intervals. | | | |
| 9 | Transaxle Oil Reservoir | Oil/20W-50 | 1 | | | | |
| 10 | Tail Wheel Caster Fork Pivot | Grease | 2 | | | | |
| 11 | Rear Axle Pivot | Grease | 1 | | | | |

LUBRICATION POINTS



CASTER WHEEL FORK INSTALLATION

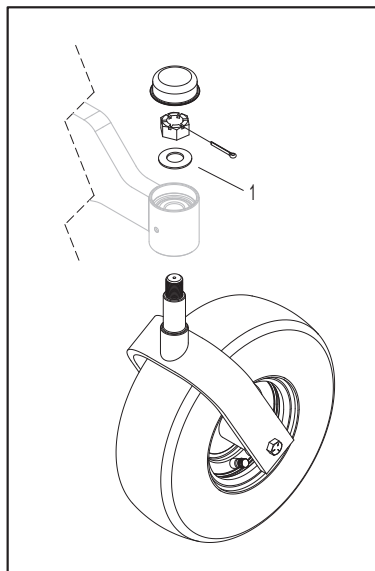
| ITEM NO. | DESCRIPTION | ITEM NO. | DESCRIPTION |
|----------|-------------|----------|-------------|
|----------|-------------|----------|-------------|

Caster Wheel Fork Assembly

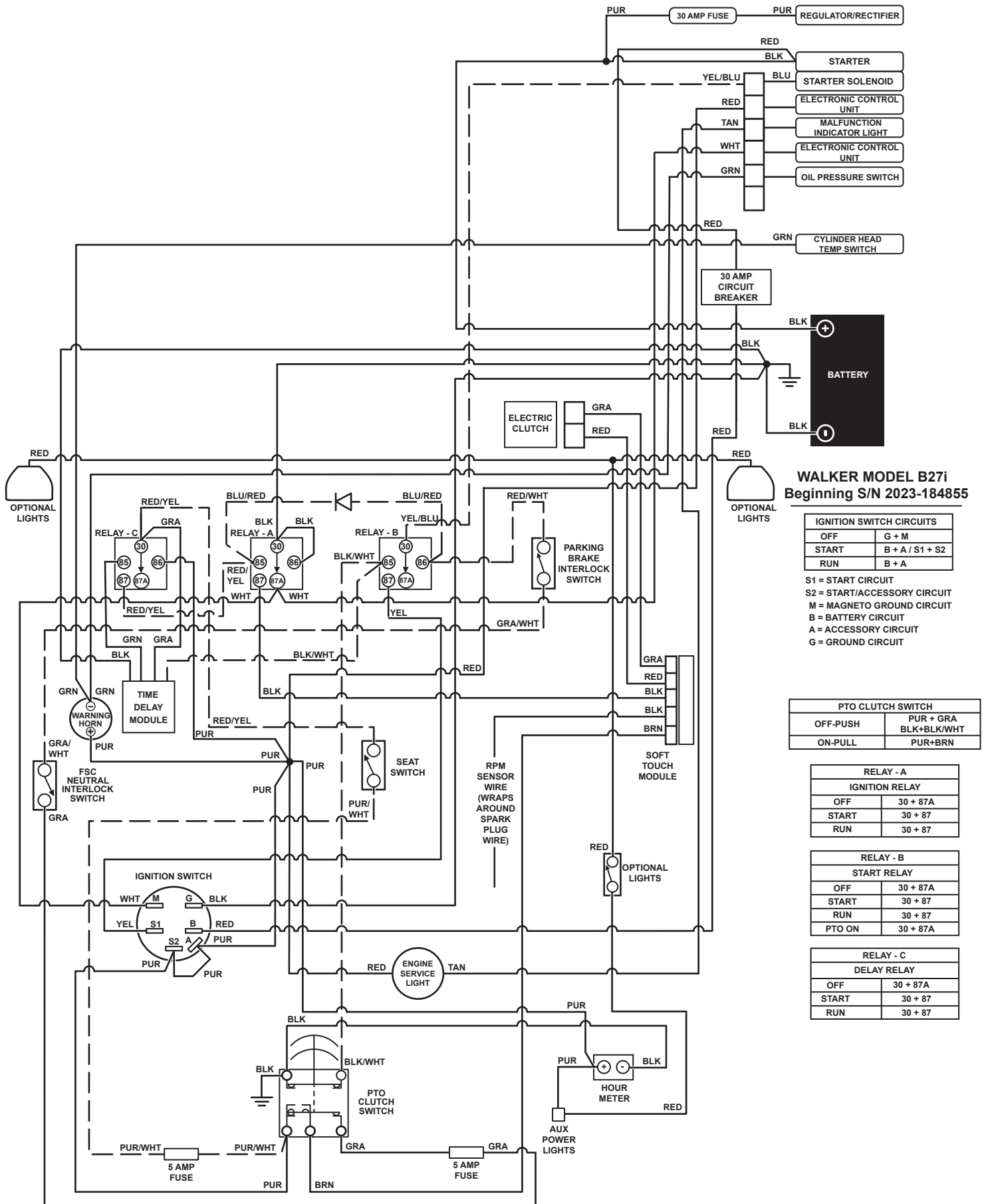
- 1 Installing the Caster Fork with a Belleville Washer:
 - a. Install the fork up into the bearing housing through the lower and upper tapered roller bearings. Rotate the fork as the seal is engaging onto the shaft to prevent the seal lip from rolling.
 - b. Place a Belleville washer onto the fork shaft with the cupped side of the washer down against the bearing, and thread the slotted hex nut finger-tight onto the shaft.
 - c. Using a wrench or socket, tighten the slotted hex nut by hand only until the Belleville washer is fully compressed, which is felt as a distinct increase in the amount of force required to turn the nut.
 - d. Back the nut off one to two notches until the cotter pin hole is visible, and install the cotter pin to lock the nut in place.

NOTE: The tension of the compressed Belleville washer provides the correct amount of bearing pre-load and will remain consistent with use. Do not over-tighten the nut, which will bind the caster pivot and cause unnecessary turning friction.

Tail Wheel Pivot Assembly



WIRING SCHEMATIC



WALKER MODEL B27i
Beginning S/N 2023-184855

| IGNITION SWITCH CIRCUITS | |
|--------------------------|-----------------|
| OFF | G + M |
| START | B + A / S1 + S2 |
| RUN | B + A |

S1 = START CIRCUIT
S2 = START/ACCESSORY CIRCUIT
M = MAGNETO GROUND CIRCUIT
B = BATTERY CIRCUIT
A = ACCESSORY CIRCUIT
G = GROUND CIRCUIT

| PTO CLUTCH SWITCH | |
|-------------------|--------------------------|
| OFF-PUSH | PUR + GRA BLK+BLK/WHT |
| ON-PULL | PUR+BRN |

| RELAY - A | |
|----------------|----------|
| IGNITION RELAY | |
| OFF | 30 + 87A |
| START | 30 + 87 |
| RUN | 30 + 87 |

| RELAY - B | |
|-------------|----------|
| START RELAY | |
| OFF | 30 + 87A |
| START | 30 + 87 |
| RUN | 30 + 87 |
| PTO ON | 30 + 87A |

| RELAY - C | |
|-------------|----------|
| DELAY RELAY | |
| OFF | 30 + 87A |
| START | 30 + 87 |
| RUN | 30 + 87 |

Model B27i Beginning S/N 184730
Use only genuine Walker® replacement parts.

LIMITED WARRANTY FOR WALKER MODEL B27i RIDER MOWERS

1. WHAT THIS WARRANTY COVERS, AND FOR HOW LONG:

Walker Manufacturing company will, at its option, repair or replace, without charge, any part covered by this warranty which is found to be defective in material and/or workmanship within two (2) years* after the date of sale to the original retail purchaser unless the product is used for rental purposes, in which case this warranty is limited to ninety (90) days. At Walker's request, customer will make the defective part available for inspection by Walker and/or return the defective part to Walker, transportation charges prepaid. All parts and components of the Walker Mower are covered by this warranty **except** the following components which are warranted separately by their respective manufacturers:

Kohler Engine

The available warranties covering these items are furnished with each mower. Walker does not assume any warranty obligation, liability or modification for these items, which are covered exclusively by the stated warranty of the respective manufacturers noted above.

The Fulbat battery comes with a one (1) year warranty from the date of sale to the original retail purchaser. Warranty claims for the battery are administered through Walker Manufacturing.

Hydro-Gear offers a two (2) year or 2000 hour (whichever comes first) warranty for the ZT-3100 Hydrostatic transaxle which covers full cost of replacement up to 1000 hours of use, and after 1000 hours warranty coverage is prorated against 2000 hours. This warranty is administered through Walker Manufacturing.

2. WHAT THIS WARRANTY DOES NOT COVER:

- A. This warranty does not cover defects caused by depreciation or damage caused by normal wear, accidents, improper maintenance, improper use or abuse of the product, alterations, or failure to follow the instructions contained in the Owner's Manual for operation and maintenance.
- B. The customer shall pay any charges for making service calls and/or for transporting the mower to and from the place where the inspection and/or warranty work is performed.

3. HOW TO OBTAIN SERVICE UNDER THIS WARRANTY:

Warranty service can be arranged by contacting the dealer where you purchased the mower or by contacting Walker Manufacturing Company, 5925 East Harmony Road, Ft. Collins, CO 80528. Proof of the date of purchase may be required to verify warranty coverage.

4. WARRANTY LIMITATION:

- A. **THERE IS NO OTHER EXPRESS WARRANTY. ANY WARRANTY THAT MAY BE IMPLIED FROM THIS PURCHASE INCLUDING MERCHANTABILITY AND FITNESS FOR A PARTICULAR PURPOSE IS HEREBY LIMITED TO THE DURATION OF THIS WARRANTY AND TO THE EXTENT PERMITTED BY LAW ANY AND ALL IMPLIED WARRANTIES ARE EXCLUDED.** Some states do not allow limitations on how long an implied warranty lasts, so the above limitations may not apply to you.
- B. **WALKER WILL NOT BE LIABLE FOR ANY INCIDENTAL, CONSEQUENTIAL, OR SPECIAL DAMAGES AND/OR EXPENSES IN CONNECTION WITH THE PURCHASE OR USE OF THE MOWER.** Some states do not allow the exclusion or limitation of incidental or consequential damages, so the above limitation(s) or exclusion(s) may not apply to you.
- C. Only the warranty expressed in this limited warranty shall apply and no dealer, distributor, or individual is authorized to amend, modify, or extend this warranty in any way. Accordingly, additional statements such as dealer advertising or presentations, whether oral or written, do not constitute warranties by Walker, and should not be relied upon.
- D. This warranty gives you specific legal rights, and you may also have other rights which vary from state to state.



WALKER

WALKER MFG. CO. • 5925 E. HARMONY ROAD, FORT COLLINS, CO 80528 • (970) 221-5614
FORM NO. 112524 PRINTED IN USA www.walker.com ©2024 WALKER MFG. CO