

WALKER

Illustrated Parts Manual

H24d



Beginning S/N: 141635
Effective Date: 07.20.16
P/N 2000-16

KEY TO ABBREVIATIONS USED IN THIS MANUAL

<i>Abbreviation</i>	<i>What it Represents</i>
° (Dimension)	Degrees (Angle)
" (Dimension)	inches
(-)	Negative (Polarity)
(+)	Positive (Polarity)
AT	All-Terrain
CCW	Counter-clockwise
Conn	Connector
CW	Clockwise
D	Diameter
DC	Deck, Collection (number refers to size in inches)
DM	Deck, Mulching (number refers to size in inches)
DR	Deck, Rear Discharge (number refers to size in inches)
DS	Deck, Side Discharge (number refers to size in inches)
DU	Garlock (Bearing)
ESNA (Fastener)	Nylon Insert Locknut
FSC	Forward Speed Control
GA	Gauge
gal	gallon
GR (Fastener)	Grade
HD	Heavy Duty
HP	Horse Power
ID	Identification or Inside Diameter
L	Length
LH	Left Hand (orientated with operator on seat)
LP	Low Profile
mm (Dimension)	millimeters
MS (Fastener)	Machine Screw
NS (as part number)	Item is not sold by Walker Manufacturing
OD	Outside Diameter
oz	ounce
PFH (Fastener)	Phillips Flat Head
P/N	Part Number
PPH (Fastener)	Phillips Pan Head
PTH (Fastener)	Phillips Truss Head
PTO	Power Take-Off
QKS	Quick Slide
qt	quart
RH	Right Hand (orientated with operator on seat)
ROPS	Roll-Over Protection System
SAE (Fastener)	Society of Automotive Engineers
SBH (Fastener)	Socket Button Head (Bolt)
SFH (Fastener)	Slotted Flat Head
SHC (Fastener)	Socket Head Cap
SHL (Fastener)	Shoulder (Bolt)
SM (Fastener)	Sheet Metal (Screw)
S/N	Serial Number
Spg	Spring
SQH (Fastener)	Square Head
SS (Fastener)	Stainless Steel
ST (Fastener)	Self-Tapping (Screw)
Term	Terminal
V	Volts
VLR	Very Low Restriction

NOTE: In some instances, combinations of abbreviations may be used (e.g. PPHMS - Phillips Pan Head Machine Screw).

Beginning S/N 141635

Effective Date 07-20-16

Use only genuine Walker® replacement parts.

ILLUSTRATED PARTS LIST

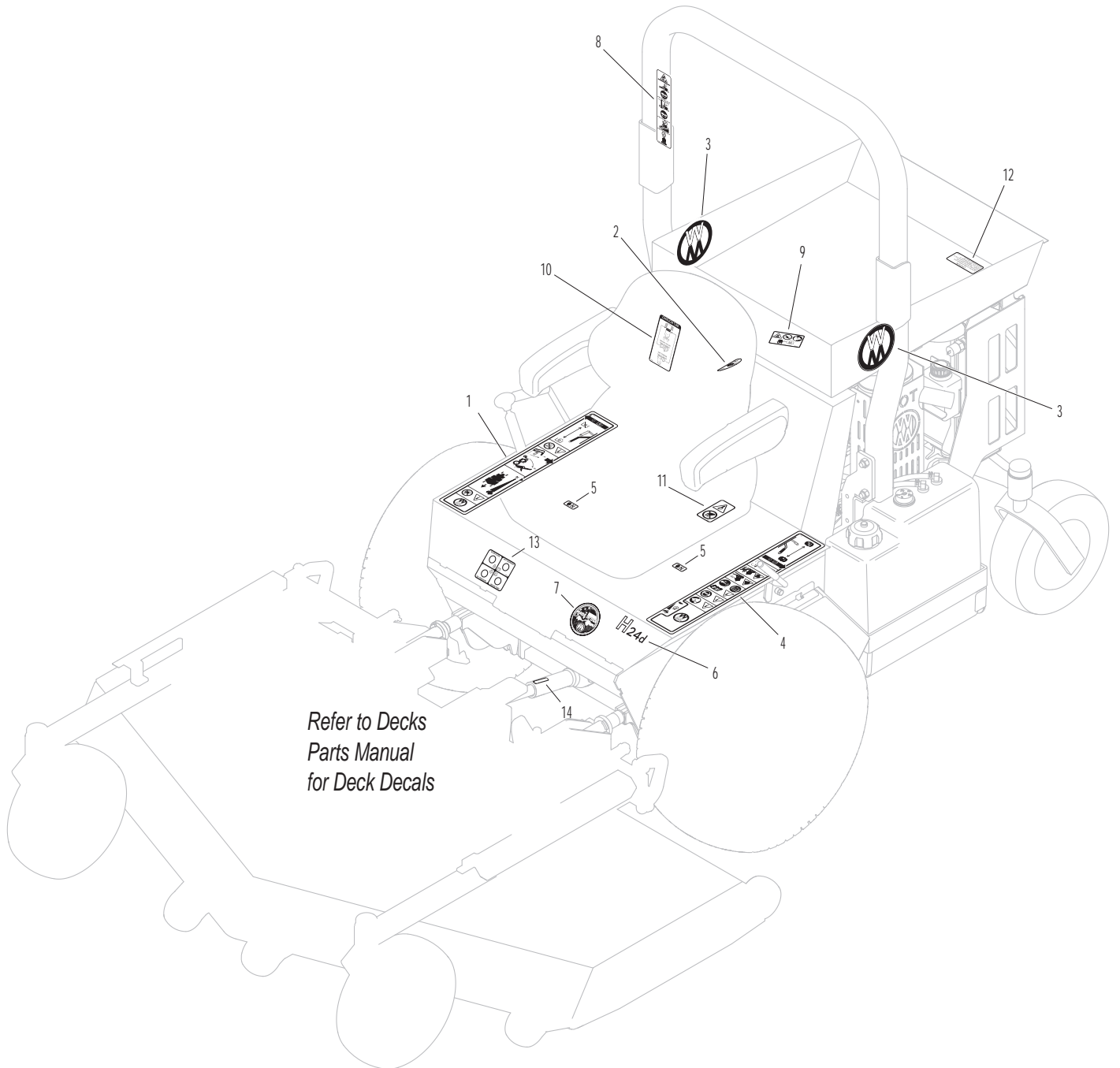
<i>Section of Tractor Covered</i>	<i>Page</i>	<i>Section of Tractor Covered</i>	<i>Page</i>
<hr/>		<hr/>	
Decals		Electrical Components	
Tractor Decals	2	Electrical Assembly	18
Body / Chassis Assemblies		Maintenance	
Body / Chassis Assembly	4	Lubrication Points	20
Tractor Components		Wiring Schematic.....	22
Main Component Power Transmission	6	Electrical Assembly (Connections).....	23
Engine Group.....	8	Maintenance And Service Record Sheet.....	24
Radiator Group	10	Warranty	
Hydrostatic Ground Drive Assemblies.....	12	Limited Warranty	25
Steering Control Assemblies.....	14		
Roll-Over Protection System (ROPS) and Debris Seal Kit	16		

TRACTOR DECALS

ITEM NO.	PART NO.	DESCRIPTION	LOCATION	NO. REQ'D SD
Walker Product and Operation Decals				
1	2802-4	RH Fender	Body, RH near Seat	1
2	2010-17	Fuel Transfer	Transfer Mount, RH	1
3	5800-9	Decal, Walker Round (4-3/4")	Rear Body (one on each side)	2
4	2802-5	LH Fender	Body, LH near Seat	1
5	9804-1	Axle Lockout	Hydro Mount Plate	2
6	8821-6	Decal, H24d	Body	1
7	5856-1	Made in USA	Body	1
Danger Decals Warning Decals Caution Decals				
8	5685-3	Decal, ROPS	ROPS	1
9	8600-12	Danger, Engine Exhaust	Engine Brace	1
10	2107-5	Decal, Belt Routing	Rear Body, Underside	1
11	8600-2	Danger, Rotating Components	Air Cleaner Bracket	1
Maintenance Decals				
12	2427-9	Radiator Solution	Radiator	1
13	2807-9	Decal, Amp/Glow Plug	Body	1
14	6875	PTO Alignment Arrow	Universal Joint Tube Assembly	1

NOTE: All parts requiring decals are shipped with decals applied.

TRACTOR DECALS



BODY / CHASSIS ASSEMBLY

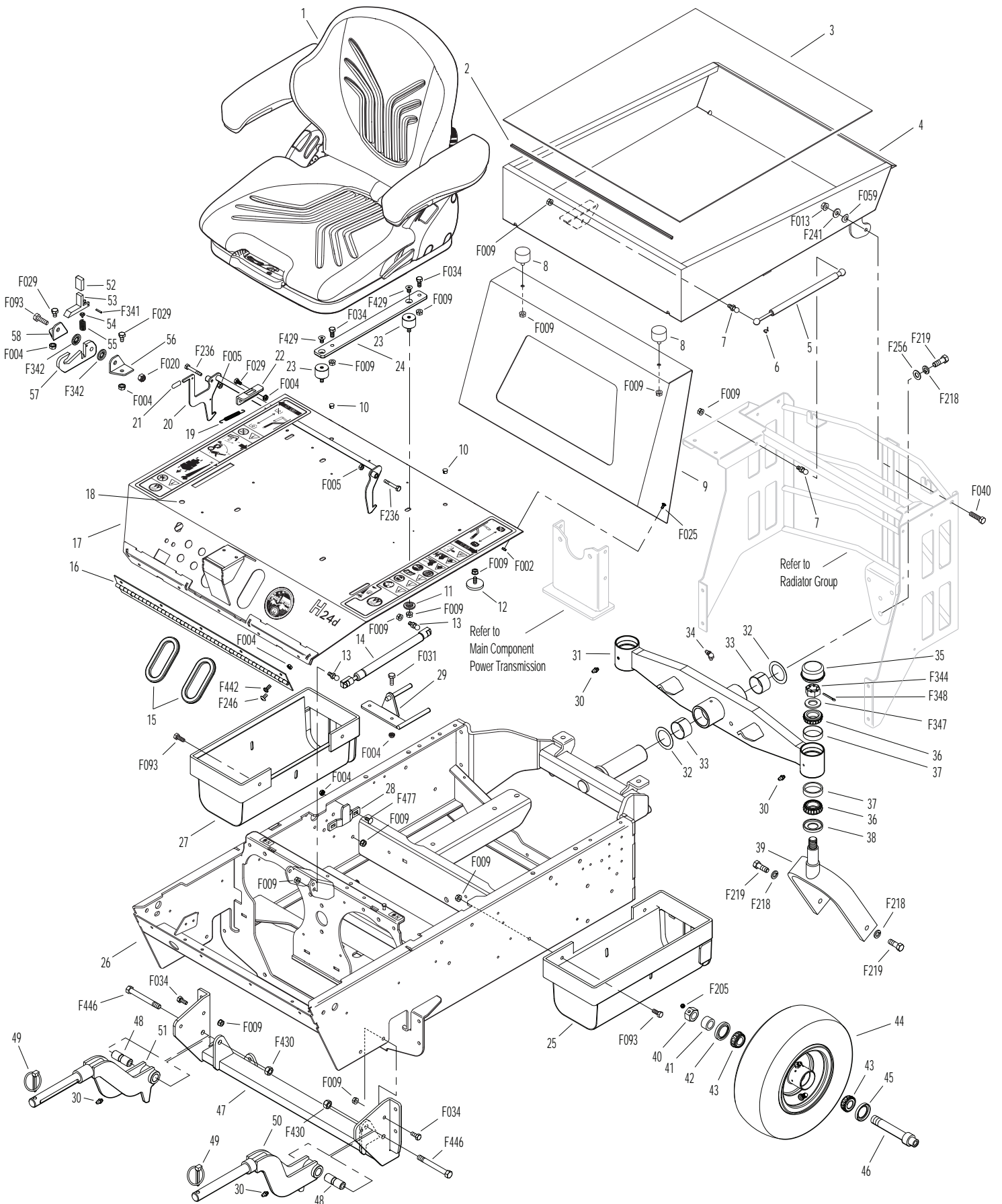
ITEM NO.	PART NO.	DESCRIPTION	NO. REQ'D	ITEM NO.	PART NO.	DESCRIPTION	NO. REQ'D
Body & Seat Assembly				Deck Support Arm & Hitch Assemblies			
1	6103-14	Suspension Seat	1	47	2300-9	Deck Arm Support Mount	1
2	M112	Edge Molding (16-3/8")	1	48	6840-1	Support Arm Bushing (2-1/16)	2
3	8650-12	Bed Liner (23-5/16 x 25-3/8)	1	49	2775	Lynch Pin (5/16 x 1-1/4)	2
4	2650-1	Utility Bed (Includes Item # 3)	1	50	2431-2	Deck Support Arm, LH (Includes Item # 30)	1
5	7145	Gas Spring Assembly (Includes Items # 6 & 7)	1	51	2430-2	Deck Support Arm, RH (Includes Item # 30)	1
6	7147	Spring Clip	2	Tilt-Up Latch Assembly*			
7	7146	13mm Ball Stud	2	52	5847	Plastic Tip	1
8	7845-1	Rubber Bumper (1.375 x .750)	2	53	5744-20	Spring Arm, Tilt-Up Latch	1
9	2105-40	Front Bed Support	1	54	5744-10	Spring Pivot Bushing	1
10	5989-4	Dome Plug (3/8)	2	55	5744-15	Compression Spring (3/8 x 5/8)	1
11	6105-1	Shoulder Washer	2	56	5744-13	Mount Angle, LH	1
12	7844	Rubber Bumper (1.25 x .250)	2	57	5744-12	Hook, Tilt-Up Latch	1
13	5146	10mm Ball Stud	2	58	5744-14	Mount Angle, RH	1
14	2145	Gas Spring	1	Fasteners			
15	5180	Edge Molding, Lever Opening	2	F002		10-24 Keps Nut	5
16	2504-4	Hinge (22.5)	1	F004		1/4-20 Keps Nut	17
17	2100-7	Front Body	1	F005		1/4-20 ESNA Nut	2
18	5989-5	Dome Plug (7/16)	1	F009		5/16-18 Whiz Locknut	22
19	7222	Extension Spring (1/4 x 3)	1	F013		3/8-16 Whiz Locknut	2
20	2383	Body Latch Hook	1	F020		5/16-18 ESNA Nut	1
21	7854	Plastic Tip, Red	1	F025		10-24 x 3/8 PPHMS	5
22	4102-1	Body Guide, Upper	1	F029		1/4-20 x 1/2 Hex Bolt	4
23	7440-7	Shock Mount	4	F031		1/4-20 x 5/8 Hex Bolt	2
24	6103-35	Suspension Seat Mount	2	F034		5/16-18 x 3/4 Hex Bolt	6
Chassis Assembly				F040		3/8-16 x 1-1/2 Hex Bolt	2
25	2046-1	Gas Tank Mount, LH	1	F059		3/8 Wave Spring Washer	2
26	2300-14	Chassis Frame	1	F093		5/16-18 x 1 Hex Bolt	5
27	2046	Gas Tank Mount	1	F205		5/16-18 x 1/4 Set Screw (Knurl Point)	2
28	4102-2	Body Guide, Lower	1	F218		7/16 Split Lock Washer	5
29	2325-8	Belt Guide	1	F219		7/16-14 x 1-1/4 Hex Bolt	5
Tail Wheel Assembly				F236		1/4-20 x 1-3/4 Hex Bolt	2
30	5830	Grease Fitting	4	F241		.375 x .875 x .10 Washer	2
31	2300-10	Tail Wheel Pivot (Includes Items # 30, 33 & 34)	1	F246		1/4-20 x 1/2 PTHMS	4
32	2201-2	Fiberglide Thrust Washer	2	F256		7/16 SAE Washer	1
33	2201-3	Fiberglide Bearing (1-5/8)	2	F341		Coil Roll Pin (7/64 x 9/16)	1
34	5830-4	Grease Fitting (90 Deg.)	1	F342		5/16 Conical Washer	2
35	8769-8	Dust Cap, Deck Caster	2	F344		3/4-16 Slotted Hex Nut	2
36	8769-6	Bearing Cone (1" ID)	4	F347		3/4 SAE Washer	2
37	8769-5	Bearing Cup (2 x 1-5/8)	4	F348		1/8 x 1-1/2 Cotter Pin	2
38	8769-7	Seal	2	F429		5/16-18 x 1/2 SFH Screw	4
39	2770	Caster Wheel Fork	2	F430		7/16-20 ESNA Nut	2
40	8039	Nut, Tail Wheel Axle	2	F442		1/4-20 x 5/8 PTHMS	5
41	8038-1	Spacer, Tail Wheel Axle (.750 ID x 1.125 OD)	2	F446		7/16-20 x 3-1/2 Grd 8 Bolt	2
42	8768-2	Seal, Reverse Lip	2	F477		1/4-20 x 5/8 Carriage Bolt	2
43	8037	Bearing Cone (3/4 ID)	4	* Complete Tilt-Up Latch Assembly Kit available by ordering kit # 5747.			
44	8035	Tail Wheel & Tire (13 x 5.00-6) (W/Bearing Race)	2				
45	8037-1	Seal, Outer (1-3/4 x 1-1/8)	2				
46	7038	Tail Wheel Axle (3/4 x 5-9/16)	2				

Beginning S/N 141635

Effective Date 07-20-16

Use only genuine Walker® replacement parts.

BODY / CHASSIS ASSEMBLY



Beginning S/N 141635
Effective Date 07-20-16
Use only genuine Walker® replacement parts.

MAIN COMPONENT POWER TRANSMISSION

ITEM NO.	PART NO.	DESCRIPTION	NO. REQ'D	ITEM NO.	PART NO.	DESCRIPTION	NO. REQ'D
PTO Drive Assembly				Fasteners			
1	4850	Handle Grip, Black	1	F004		1/4-20 Keps Nut	6
2	2358-1	Clutch Lever, MBS (Includes Items # 1 & 3)	1	F008		5/16-24 Keps Nut	1
3	5830-3	Grease Fitting (45 Deg.)	3	F009		5/16-18 Whiz Locknut	16
4	4303-7	Clutch Actuator Bolt (5/16)	1	F010		5/16-24 ESNA Nut	1
5	2306-2	Oillite Flanged Bushing	2	F012		3/8-16 Keps Nut	1
6	5830	Grease Fitting	1	F013		3/8-16 Whiz Locknut	3
7	2325-7	Clutch Arm (Includes Items # 5 & 6)	1	F020		5/16-18 ESNA Nut	1
8	5221-1	Extension Spring (3/4 x 5)	1	F029		1/4-20 x 1/2 Hex Bolt	2
9	2358-11	Clutch Actuator	1	F031		1/4-20 x 5/8 Hex Bolt	13
10	5214-13	Ball Joint (3/8)	2	F034		5/16-18 x 3/4 Hex Bolt	13
11	2011-10	Flex Coupling Guard, RH	1	F035		5/16-18 x 1-1/4 Hex Bolt	2
12	2011-11	Flex Coupling Guard, LH	1	F039		3/8-16 x 1-1/4 Hex Bolt	1
13	2358-9	Clutch Pivot Base	1	F050		1/4 SAE Washer	2
14	2358-8	Adjustor Brace	1	F051		3/8 SAE Washer	2
15	7775-6	Wire Lock Pin (2-1/2")	3	F058		1/4 Wave Spring Washer	6
16	2302-4	Right Hand Shoe	1	F060		AN960516 Washer	2
17	2302-7	Upper Shoe, LH	1	F061		1/4 Star Lock Washer	1
18	2302-3	Left Hand Shoe	1	F069		3/32 x 1/2 Cotter Pin	1
19	2349-7	Bearing Mount	1	F091		5/16-18 x 5/8 Hex Bolt	1
20	2406-5	Spacer	1	F104		1/4-20 x 3/4 PFH Bolt	2
21	2236-5	PTO Pulley (4.5/AAA)	1	F120		AN960416 Washer	7
22	2359-1	Brake Band / Guard Mount	1	F146		1/4-20 Jam Nut	1
23	7775-8	Wire Lock Pin (4")	1	F149		1/4 x 1/4 x 1-1/2 Key	1
24	2302-5	PTO Shoe	1	F168		5/16 Split Lock Washer	1
25	7275-9	Quick Coupler Installation Tool	**	F170		5/16 x 1 x 7/64 Flat Washer (Zinc Plate)	1
26	7275-16	Universal Joint Tube Assembly / Spline	1	F171		5/16-18 x 3/8 Set Screw	1
27	2274-10	PTO Drive Shaft Assembly	*	F178		1/4 x 1 Fender Washer	1
28	2302-6	Shoe Mount, LH	2	F182		1/4 x 5/8 x 1/8 Washer	3
29	2358-7	Clutch / Pivot Stop	1	F183		.312 x .700 x .074 Washer	4
30	7523-2	Clevis Pin W/Hole (1/4 x 5/8)	1	F211		1/4-20 x 7/8 Hex Bolt	1
31	4359-2	Brake Band Link, Rear	1	F217		7/16-14 Hex Nut	2
32	8304	Brake Band (14-1/2)	1	F218		7/16 Split Lock Washer	2
33	4359-1	Brake Band Link, Front	1	F219		7/16-14 x 1-1/4 Hex Bolt	2
34	2410-2	Drive Shaft	1	F241		.375 x .875 x .10 Washer	1
35	2265	Bearing (20mm)	4	F255		5/16-18 x 1-1/2 Hex Bolt	4
36	2406-7	Pivot Shaft Spacer	1	F298		3/8-24 Jam Nut	2
37	2236-1	Idler Pulley (4.5/AAA)	2	F350		1/4-20 LP Nylock	9
38	2230	Engine PTO Belt / Set (3)	1	F389		3/8-16 x 2-3/4 Hex Bolt	1
39	2236-6	Pulley (Includes Items # F149 & F171)	1	F431		1/4-20 x 3-1/2 Hex Bolt	1
40	2236-4	Idler Pulley Shaft	1	F435		1/4 x 1/4 x 1-1/4 Key	2
41	7201-3	Fiberglide Bearing	2	F450		Washer 5/8 x 1-3/4 x 1/4	1
42	7201-9	Inner Race (5.324)	1	F452		5/8-18 Nylon Locknut	1
43	2359-2	Clutch Engagement (Includes Items # 3 & 41)	1	F473		5/16-18 x 5 Hex Bolt	1
44	2349-6	Flanged Bearing	1	F476		3/8-16 x 6-1/2 Hex Bolt	1
45	4302-2	Shoe Mount	1	F484		Washer .380 ID x 1.0 OD x .120	2
46	2358-12	Fiberglide Bushing	1				
47	7201-2	Fiberglide Bearing 1/2"	1				
48	7377	Plastic Washer (1 x .438 x .025)	2				
49	7378	Pivot Bearing (7/16 x 9/16)	1				
50	5214-2	Ball Joint (5/16-24) (Nylon Lined)	1				
51	7226	Compression Spring (3/4 x 2-1/2)	1				
52	7380	Knuckle Joint	1				

* Service Part Only

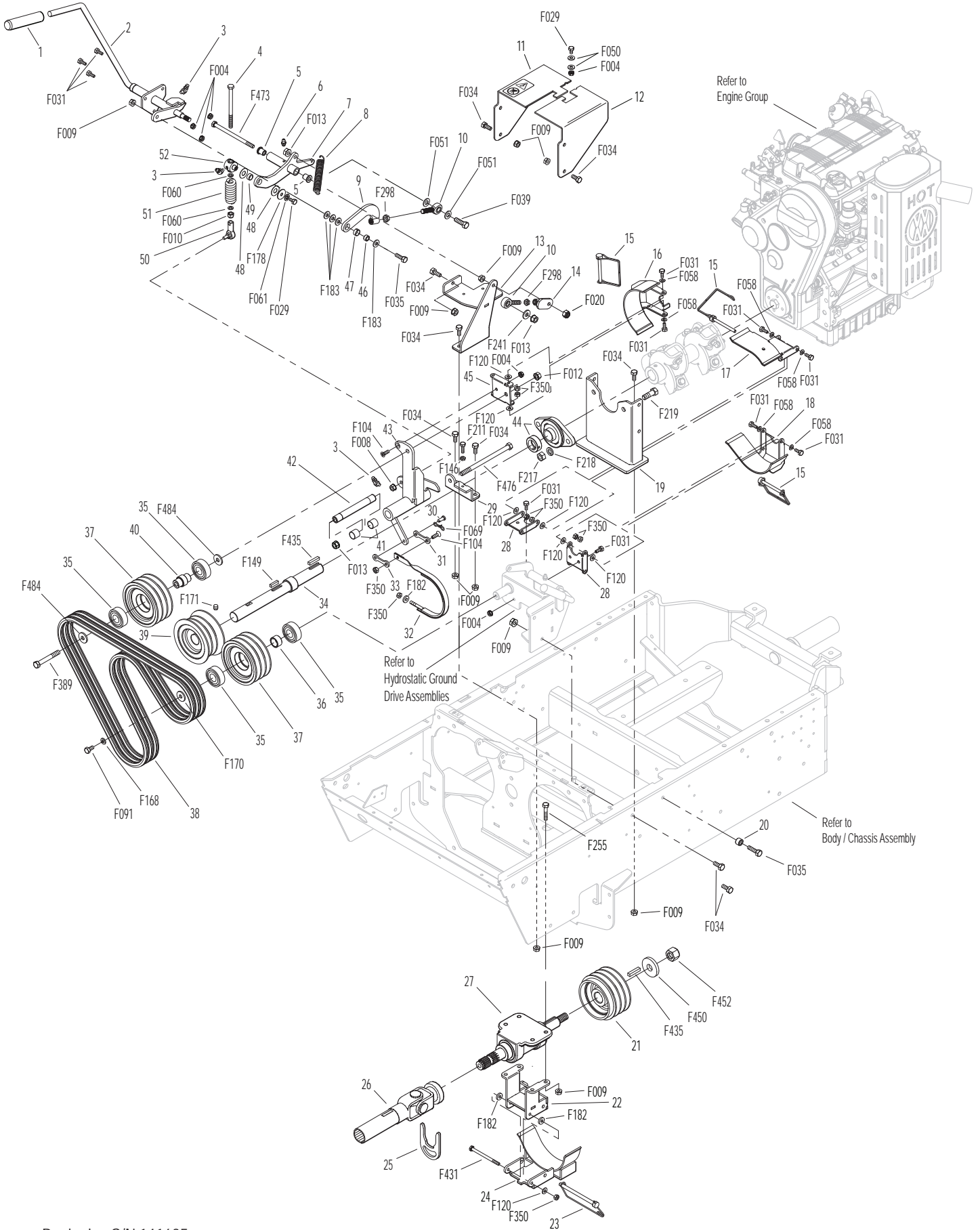
** The Quick Coupler Installation Tool is used to assist the installation of the Quick Coupler Tube and PTO Shaft connection by holding the disconnect ring in the retracted position when joined to the tractor spline shaft on the PTO Drive Shaft.

Beginning S/N 141635

Effective Date 07-20-16

Use only genuine Walker® replacement parts.

MAIN COMPONENT POWER TRANSMISSION



Beginning S/N 141635
 Effective Date 07-20-16
 Use only genuine Walker® replacement parts.

ENGINE GROUP

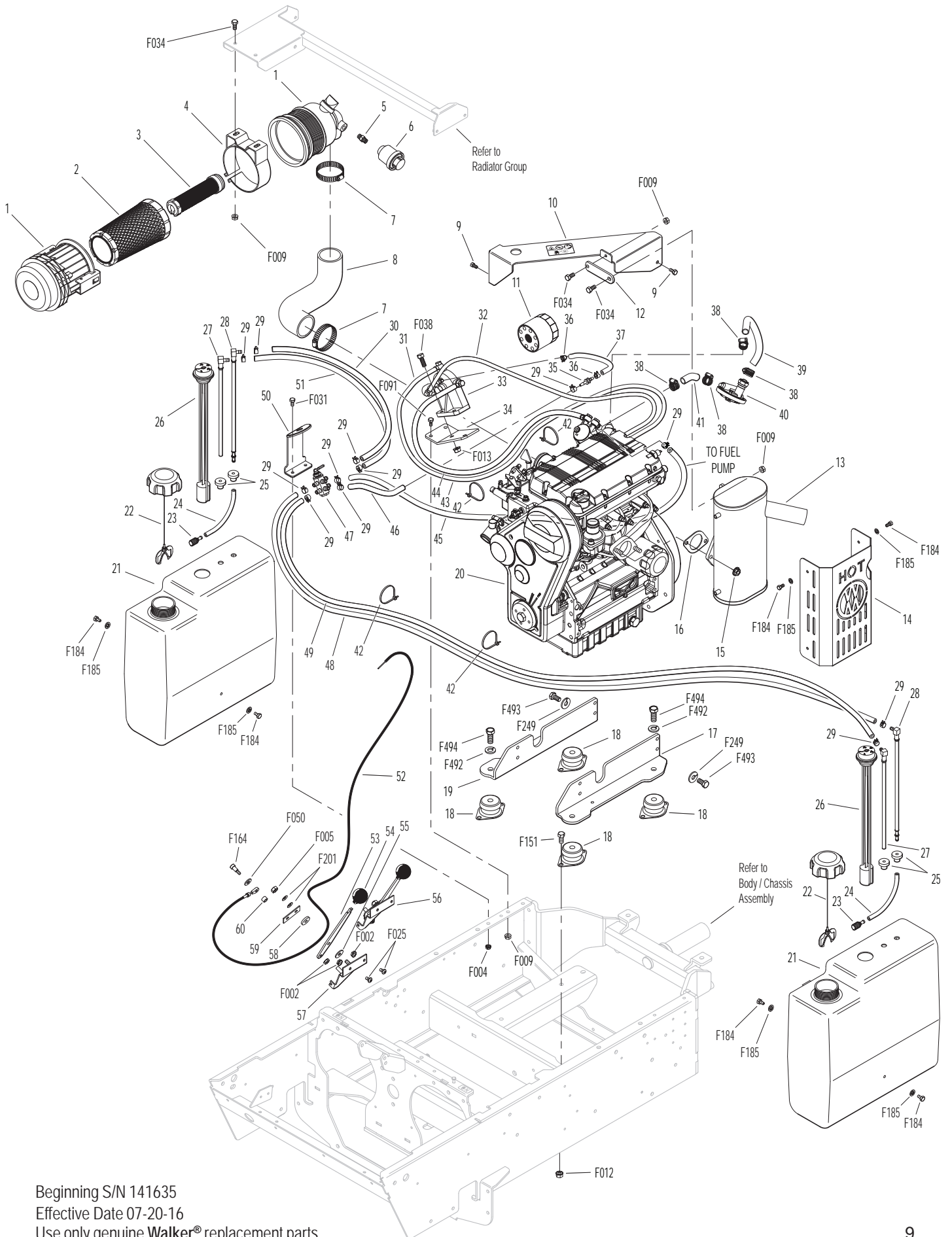
ITEM NO.	PART NO.	DESCRIPTION	NO. REQ'D	ITEM NO.	PART NO.	DESCRIPTION	NO. REQ'D
Precleaner Assembly				44	NS	Fuel Line (Kohler)	1
1	4090	Air Cleaner Assembly (90 Degree 2") (Includes Items # 1-4)	1	45	M111	Fuel Line (1/4 x 20")	1*
2	5090-4	Air Cleaner Cartridge, VLR	1	46	M111	Fuel Line (1/4 x 5")	1*
3	5090-5	Safety Filter Insert, VLR	1	47	2010-6	Fuel Valve	1
4	NS	Air Cleaner Band	1	48	M246	Fuel Line (1/4 x 39")	1*
5	5091-4	Indicator Nipple	1	49	M111	Fuel Line (1/4 x 39")	1*
6	5091-3	Air Flow Indicator	1	50	2010-2	Fuel Transfer Mount	1
7	6029	Hose Clamp (1-3/4 to 2-1/4)	2	51	M246	Fuel Line (1/4 x 11")	1*
8	2012-5	Air Intake Hose	1	Throttle Assembly			
Engine Assembly				52	2108-6	Control Cable (73")	1
9	NS	Bolt (Kohler)	2	53	5108-1	Control Lever, Throttle / Choke	1
10	2437-3	Upper Engine Brace	1	54	5108-5	Throttle Control Knob, Red	1
11	NS	Oil Filter (Kohler 2175-283-S)	1	55	5108-11	Friction Washer (.062)	1
12	2437-4	Engine Muffler Link	1	56	2108-1	Throttle Control and Cable Assembly (Includes Items # 52-55, 57-60, F002, F005, F050, F164 & F201)	1
13	2013-2	Muffler	1	57	5108-8	Control Bracket	1
14	2013-9	Muffler Shield	1	58	5108-10	Friction Washer (.125)	1
15	NS	Nut (Kohler)	2	59	5108-7	Control Lock Tab	1
16	NS	Gasket (Kohler)	1	60	5172	Bearing, Delrin (.255 ID x .379 OD x .250)	1
17	2437-1	Engine Mount, LH	1	Fasteners			
18	7440-9	Motor Mount	4	F002	10-24 Keps Nut		3
19	2437-2	Engine Mount, RH	1	F004	1/4-20 Keps Nut		2
20	NS	23.4 HP Engine (Kohler)	1	F005	1/4-20 ESNA Nut		1
Fuel Tank Assembly				F009	5/16-18 Whiz Locknut		6
21	8055-4	Fuel Tank, 4.7 Gallon, Diesel (Black) (Includes Items # 23-28)	2	F012	3/8-16 Keps Nut		8
22	7082-1	Fuel Tank Cap, Diesel	2	F013	3/8-16 Whiz Locknut		2
23	5020-2	Fuel Filter, In Tank	2	F025	10-24 x 3/8 PPHMS		2
24	5086-7	Hose (1/4 x 6)	2	F031	1/4-20 x 5/8 Hex Bolt		2
25	5083-1	Bushing, Rubber	4	F034	5/16-18 x 3/4 Hex Bolt		4
26	8055-2	Fuel Tank Gauge	2	F038	3/8-16 x 1 Hex Bolt		2
27	7046-1	Fuel Return Tube	2	F050	1/4 SAE Washer		1
28	5083-8	Tank Tube (13")	2	F091	5/16-18 x 5/8 Hex Bolt		2
29	5879-3	Hose Clamp (1/2)	12	F151	3/8-16 x 7/8 Hex Bolt		8
30	M111	Fuel Line (1/4 x 10")	1*	F164	10-24 x 1/4 x 3/8 SHL Bolt		1
31	NS	Fuel Line (Kohler)	1	F184	1/4-20 x 1/2 Hex Bolt, SS		6
32	NS	Fuel Line (Kohler)	1	F185	1/4 Internal Star Lock Washer, SS		6
33	NS	Fuel Filter (Kohler)	1	F201	1/4 Belleville Spring Washer		2
34	2437-5	Fuel Filter Mount	1	F249	M10 Split Lock Washer		4
35	8043-10	1/4 x 3/16 Reducer Coupler	1	F492	M12 Split Lock Washer		4
36	5879-4	Hose Clamp (7/16)	2	F493	M10-1.5 x 20 Hex Bolt		4
37	M113	Fuel Line (3/16 x 6")	1*	F494	M12-1.75 x 30 Hex Bolt		4
38	7840-4	Hose Clamp (3/4 to 1-1/2)	4	* Required hose specifications:			
39	NS	Hose (Kohler)	1	M111 - 1/4" ID fuel/oil/vapor hose (Gates 4219-0103 or equivalent)			
40	NS	Crankcase Vacuum Regulator Valve (Kohler)	1	M113 - 3/16" ID fuel/oil/vapor hose (Gates 4219-0093 or equivalent)			
41	NS	Hose (Kohler)	1	M246 - 1/4" ID low permeation (<15g/m ² /day) fuel hose (Parker 38904 or equivalent)			
42	5975-1	Cable Tie (18# x 3-3/4")	4				
43	NS	Fuel Line (Kohler)	1				

Beginning S/N 141635

Effective Date 07-20-16

Use only genuine Walker® replacement parts.

ENGINE GROUP



Beginning S/N 141635
 Effective Date 07-20-16
 Use only genuine Walker® replacement parts.

RADIATOR GROUP

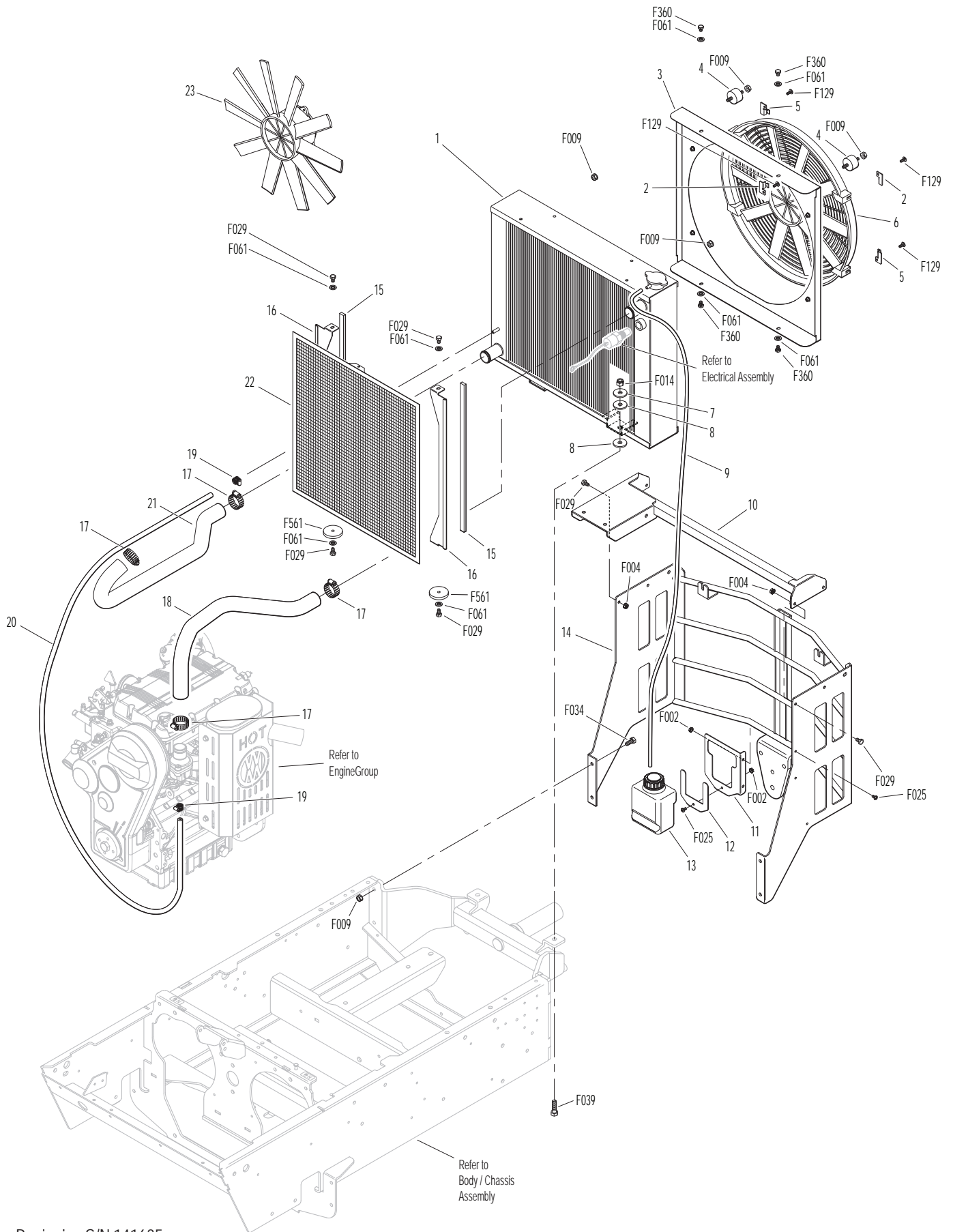
ITEM NO.	PART NO.	DESCRIPTION	NO. REQ'D	ITEM NO.	PART NO.	DESCRIPTION	NO. REQ'D
Radiator Assembly				Fasteners			
1	2427-5	Radiator	1	F002		10-24 Keps Nut	3
2	7427-21	Fan Mount Tab, LH	2	F004		1/4-20 Keps Nut	4
3	2425-3	Radiator Fan Shroud (Includes Item # F346)	1	F009		5/16-18 Whiz Locknut	8
4	7440-5	Shock Mount (1-1/4 x 3/4)	2	F014		3/8-16 ESNA Nut	1
5	7427-22	Fan Mount Tab, RH	2	F025		10-24 x 3/8 PPHMS	3
6	7429-6	Radiator Cooling Fan	*	F029		1/4-20 x 1/2 Hex Bolt	8
7	5841	Retainer Washer (3/8 x 1-1/4)	2	F034		5/16-18 x 3/4 Hex Bolt	4
8	7846	Washer (3/8 x 1-1/4 x 1/8)	4	F039		3/8-16 x 1-1/4 Hex Bolt	2
9	M204	Recovery Tank Hose (5/16 x 16-1/2")	1	F061		1/4 Internal Star Lock Washer	8
10	2088-3	Air Cleaner Mount	1	F129		10-24 x 1/2 PTHMS	4
11	2427-6	Recovery Tank Mount	1	F360		1/4-20 x 3/8 Hex Bolt	4
12	2427-2	Recovery Tank Keeper	1	F561		1/4 x 1-3/4 Fender Washer	2
13	7427-3	Coolant Recovery Tank	1				
14	2427	Radiator Mount	1				
15	7431-3	Radiator Channel Seal	2				
16	2425-2	Screen Channel	2				
17	7840-4	Hose Clamp (3/4 to 1-1/2)	4				
18	2012-3	Upper Radiator Hose	1				
19	7840-2	Hose Clamp (1/4 to 5/8)	2				
20	M247	Hose	1**				
21	2012-4	Lower Radiator Hose	1				
22	2425-1	Radiator Screen	1				
23	7429-7	Fan Blade Replacement	*				

* Service Part Only

** **Required hose specifications:**

M204 - 5/16" ID 70 Durometer EPDM hose
M247 - 5/16" ID low permeation (<15g/m²/day) fuel hose
(Parker 38905 or equivalent)

RADIATOR GROUP

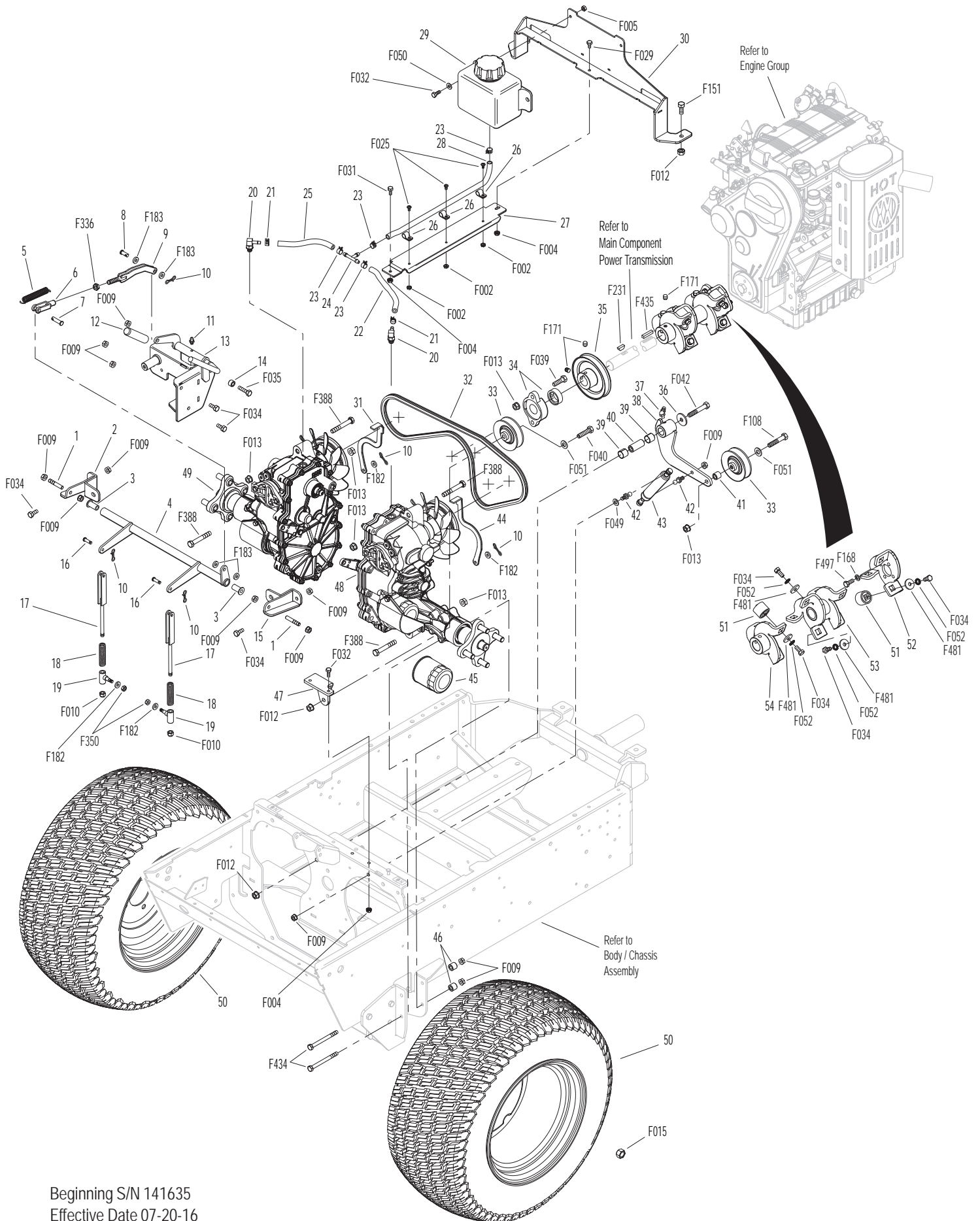


Beginning S/N 141635
 Effective Date 07-20-16
 Use only genuine Walker® replacement parts.

HYDROSTATIC GROUND DRIVE ASSEMBLIES

ITEM NO.	PART NO.	DESCRIPTION	NO. REQ'D	ITEM NO.	PART NO.	DESCRIPTION	NO. REQ'D
Parking Brake Assembly				47	2349-13	Idler Mount	1
1	2358-6	5/16-18 x 1-3/4 Stud	2	48	2025-13	Hydro-Gear ZT3400, LH	1
2	2300-2	Parking Brake Hydro Mount, RH	1	49	2026-13	Hydro-Gear ZT3400, RH	1
3	5103-2	Pivot Bushing (5/16 ID)	2	Wheel Assembly			
4	2406-3	Parking Brake Actuator Tube	1	50	2071	Wheel & Tire (22 x 10.50-12)	2
5	5222	Extension Spring (1/2 x 3-1/4)	1	PTO Coupler			
6	2280	Clevis (3/8)	1	51	2351-1	Rubber Iso Coupler	6
7	2406-4	Clevis Pin (5/16 x 1-1/8)	1	52	2351-16	Flex Coupler	1
8	8655-4	Clevis Pin (5/16 x 3/4)	1	53	2351-7	Inner Flex Coupler (1/4)	1
9	2406-1	Brake Actuator Pull	1	54	2351-3	Flex Coupler Half (Includes Items # F171 & F435)	1
10	4407-4	Bow Tie Cotter Pin	5	Fasteners			
11	5830	Grease Fitting	1	F002	10-24 Keps Nut		3
12	7406-1	Handle Grip, Red	1	F004	1/4-20 Keps Nut		4
13	2406-9	Parking Brake Lever Idler Mount (Includes Items # 11 & 12)	1	F005	1/4-20 ESNA Nut		2
14	2406-5	Spacer	1	F009	5/16-18 Whiz Locknut		15
15	2300-1	Parking Brake Hydro Mount, LH	1	F010	5/16-24 ESNA Nut		2
16	7523-2	Clevis Pin W/Hole (1/4 x 5/8)	2	F012	3/8-16 Keps Nut		4
17	2406-10	Parking Brake Rod	2	F013	3/8-16 Whiz Locknut		7
18	5665-1	Compression Spring (2-1/2)	2	F015	1/2-20 Wheel Lug Nut		8
19	5463	Steering Lever Actuator	2	F025	10-24 x 3/8 PPHMS		3
Transaxle Reservoir Assemblies				F029	1/4-20 x 1/2 Hex Bolt		1
20	2025-17	Straight Thread Hose Fit	2	F031	1/4-20 x 5/8 Hex Bolt		1
21	5879-4	Hose Clamp (7/16)	2	F032	1/4-20 x 3/4 Hex Bolt		4
22	M111	Hose (1/4 x 6-1/2")	1*	F034	5/16-18 x 3/4 Hex Bolt		16
23	5879-3	Hose Clamp (1/2)	4	F035	5/16-18 x 1-1/4 Hex Bolt		1
24	8043-9	1/4 x 1/4 x 1/4 Tee	1	F039	3/8-16 x 1-1/4 Hex Bolt		2
25	M111	Hose (1/4 x 6-1/4")	1*	F040	3/8-16 x 1-1/2 Hex Bolt		1
26	5832	Cable Clamp (1/2)	3	F042	3/8-16 x 2-1/4 Hex Bolt		1
27	2025-19	Hose Channel	1	F049	5/16 SAE Washer		1
28	M111	Hose (1/4 x 15")	1*	F050	1/4 SAE Washer		2
29	2024-1	Oil Expansion Reservoir (1 Qt.)	1	F051	3/8 SAE Washer		2
30	2025-21	Reservoir Bottle Mount	1	F052	5/16 Ext. Star Lock Washer		12
Ground Drive Assemblies				F108	3/8-16 x 2 Hex Bolt		1
31	2028-8	Lockout Arm, RH	1	F151	3/8-16 x 7/8 Hex Bolt		2
32	2248-1	Ground Drive Belt	1	F168	5/16 Split Lock Washer		4
33	4245	Idler Pulley (3/A)	2	F171	5/16-18 x 3/8 Set Screw		3
34	4349-12	Flanged Bearing (1")	1	F182	1/4 x 5/8 x 1/8 Washer		4
35	2240-2	Drive Pulley (Includes Item # F171)	1	F183	.312 x .700 x .074 Washer		4
36	5841	Retainer Washer (3/8 x 1-1/4)	1	F231	1/4 x 3/4 Woodruff Key (#806)		1
37	5830-3	Grease Fitting (45 Deg.)	1	F336	3/8-16 Jam Nut		1
38	2349-14	Transmission Belt Tensioner (Includes Items # 37 & 39)	1	F350	1/4-20 LP Nylock		2
39	7201-3	Fiberglide Bearing	2	F388	3/8-16 x 2-1/2 Hex Bolt		4
40	7201-4	Inner Race (1-1/2)	1	F434	5/16-18 x 3-1/2 Hex Bolt		4
41	6325-3	Spacer Bushing (9/16)	1	F435	1/4 x 1/4 x 1-1/4 Key		1
42	5146	10mm Ball Stud	2	F481	Washer 5/16 x 7/8 x .125		12
43	2215-6	Pressure Dampener	1	F497	M8 x 20 Hex Bolt		4
44	2028-7	Lockout Arm, LH	1	* Required hose specifications:			
45	2026-6	Hydro-Gear® Oil Filter (52114)	2	M111 - 1/4" ID fuel/oil/vapor hose (Gates 4219-0103 or equivalent)			
46	9430-1	Spacer Tube	4	Beginning S/N 141635 Effective Date 07-20-16 Use only genuine Walker® replacement parts.			

HYDROSTATIC GROUND DRIVE ASSEMBLIES

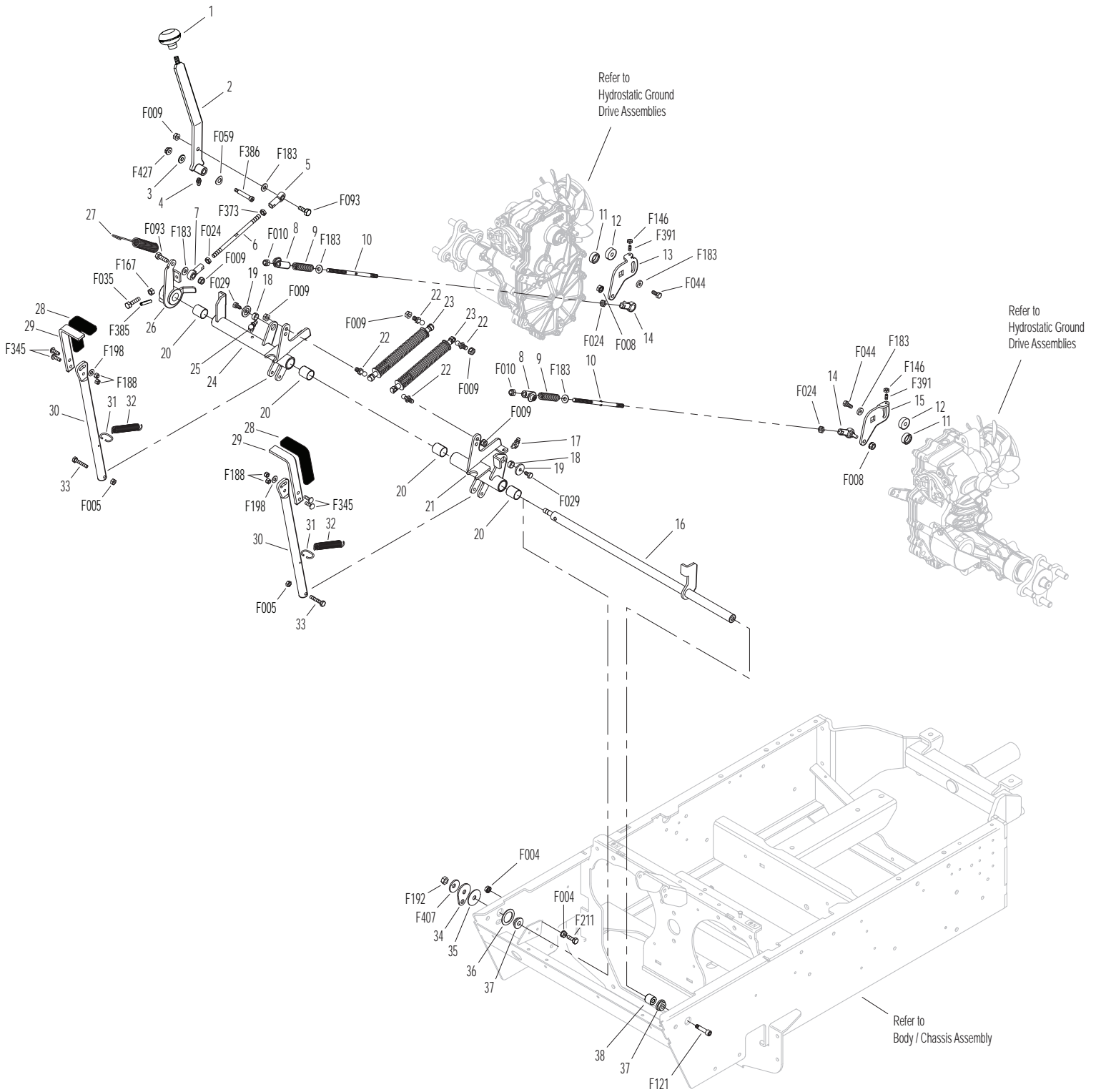


Beginning S/N 141635
 Effective Date 07-20-16
 Use only genuine Walker® replacement parts.

STEERING CONTROL ASSEMBLIES

ITEM NO.	PART NO.	DESCRIPTION	NO. REQ'D	ITEM NO.	PART NO.	DESCRIPTION	NO. REQ'D
Steering Lever & FSC Assemblies				33	4452-6	Steering Pivot (1/4-20 x 1-5/8)	2
1	5862	FSC Knob	1	34	4142-1	FSC Cam	1
2	4170	FSC Lever Assembly (Includes Item # 4)	*	35	5141	FSC Friction Washer (1-1/2 x 3/8 x 1/16)	1
3	2170-1	Step Washer	1	36	4142-2	FSC Friction Washer (1-1/2 x 1-1/32 x 1/16)	1
4	5830	Grease Fitting	1	37	9704-3	Pivot Rod Bushing, Plastic	2
5	5214-5	Ball Joint (5/16-24/LH) W/O Stud	1	38	2451-4	Steering Shaft Spacer	1
6	4213	Control Rod (6-1/4)	1	Fasteners			
7	5214-4	Ball Joint (5/16-24) W/O Stud	1	F004	1/4-20 Keps Nut		2
8	5463-2	Steering Lever Actuator	2	F005	1/4-20 ESNA Nut		2
9	5665-1	Compression Spring (2-1/2)	2	F008	5/16-24 Keps Nut		2
10	2213	Control Rod (7")	2	F009	5/16-18 Whiz Locknut		6
11	2212-3	Seal Retainer	2	F010	5/16-24 ESNA Nut		2
12	2212	Transmission Control Arm Stop	2	F024	5/16-24 Jam Nut		3
13	2212-2	Transmission Control Arm, RH	1	F029	1/4-20 x 1/2 Hex Bolt		2
14	5214-2	Ball Joint (5/16-24) (Nylon Lined)	2	F035	5/16-18 x 1-1/4 Hex Bolt		1
15	2212-1	Transmission Control Arm, LH	1	F044	5/16-24 x 3/4 Hex Bolt		2
16	2451-1	Steering Pivot Shaft With Stop	1	F059	3/8 Wave Spring Washer		1
17	5830-3	Grease Fitting (45 Degree)	1	F093	5/16-18 x 1 Hex Bolt		2
18	7201-2	Fiberglide Bearing (1/2")	2	F121	5/16-18 x 3/8 x 1 SHL Bolt		1
19	2463	Actuator Washer	2	F146	1/4-20 Jam Nut		2
20	8201-3	Fiberglide Bearing	4	F167	5/16-18 Hex Nut		1
21	2451-7	Speed Control Actuator, LH (Includes Items # 17 & 20)	1	F183	.312 x .700 x .074 Washer		6
22	5146	10mm Ball Stud	4	F188	1/4-20 Self-Locking Nut		4
23	4199-2	Steering Lever Dampener Assembly	2	F192	3/8-24 Self-Locking Nut		1
24	2451-8	Speed Control Actuator, RH (Includes Items # 20 & 25)	1	F198	.250 x .625 x .040 Washer, SS		2
25	5830-4	Grease Fitting (90 Deg.)	1	F211	1/4-20 x 7/8 Hex Bolt		1
26	4451-4	FSC Friction Actuator	1	F345	1/4-20 x .770 Knurled Bolt		4
27	4219	Extension Spring (3/4 x 6-1/2)	1	F373	5/16-24 Hex Nut, LH		1
28	5850-2	Handle Grip, Foam (5-1/2)	2	F385	1/4 x 1-1/4 Roll Pin		1
29	5453-20	Steering Lever Handle (+1") Adjustable / SS (Includes Items # 28, F188, F198 & F345)	2	F386	5/16-18 x 1-1/2 x 3/8 Shoulder Bolt		1
30	4452-4	Steering Lever Tube W/Tab	2	F391	1/4-20 x 1/2 Set Screw, SS		2
31	5450	D-Clip	2	F407	Belleville Washer 3/8 x 1.187, SS		1
32	5222	Extension Spring (1/2 x 3-1/4)	2	F427	5/16-18 Flange Nut		1
				*	Service Part Only		

STEERING CONTROL ASSEMBLIES

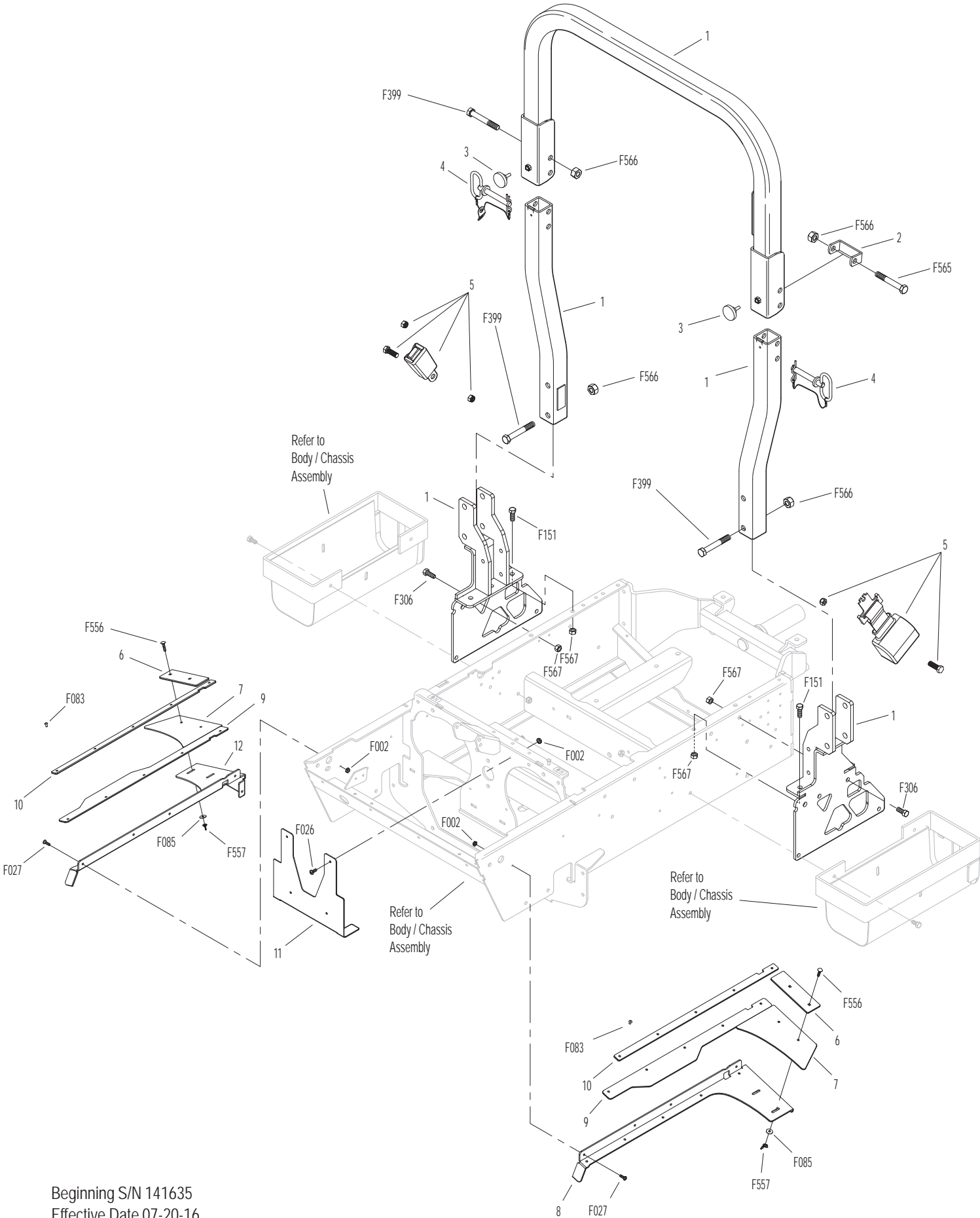


Beginning S/N 141635
 Effective Date 07-20-16
 Use only genuine Walker® replacement parts.

ROLL-OVER PROTECTION SYSTEM (ROPS) AND DEBRIS SEAL GAP KIT

ITEM NO.	PART NO.	DESCRIPTION	NO. REQ'D	ITEM NO.	PART NO.	DESCRIPTION	NO. REQ'D
ROPS Assembly				Fasteners			
1	A30	ROPS	1	F002		10-24 Keps Nut	14
2	2302-11	Stop Plate	1	F026		10-24 x 1/2 PPHMS	4
3	2302-10	Threaded Knob	2	F027		10-24 x 5/8 PPHMS	10
4	2302-9	Hinge Pin	2	F083		A/A68D Aluminum Pop Rivet (3/16D x 21/32L)	10
Debris Seal Gap Kit				F085		3/16 Rivet Backup Washer	4
5	2302-8	ROPS Seat Belt, Gammer Seat	1	F151		3/8-16 x 7/8 Hex Bolt	4
6	2301-6	Rear Gap Seal Back Up Plate	2	F306		3/8-16 x 3/4 Hex Bolt	4
7	2301-4	Rear Gap Seal	2	F399		1/2-13 x 3-1/4 Hex Bolt	5
8	2301-1	Gap Seal Mount, LH	1	F556		10-24 x 7/8 Carriage Bolt	4
9	2301-3	Tire Gap Seal	2	F557		10-24 ESNA Wing Nut	4
10	2301-5	Tire Gap Seal Back Up Plate	2	F565		1/2-13 x 3-1/2 Hex Bolt	1
11	2301-7	Front Debris Cover	1	F566		1/2-13 Nut, HXCL GR5	6
12	2301-2	Gap Seal Mount, RH	1	F567		3/8-16 Nut, HXCL GR5	8

ROLL-OVER PROTECTION SYSTEM (ROPS) AND DEBRIS SEAL GAP KIT

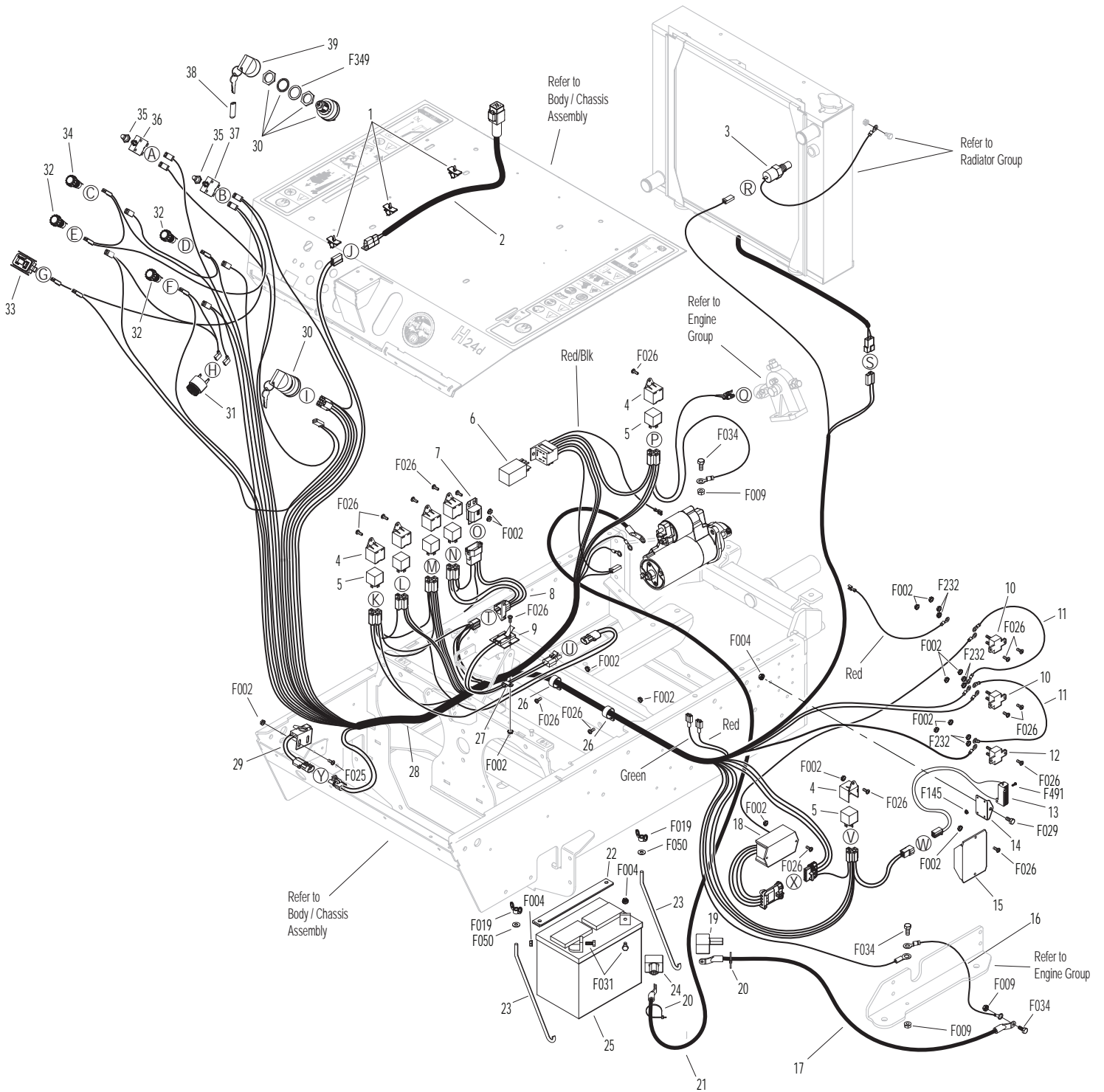


Beginning S/N 141635
 Effective Date 07-20-16
 Use only genuine Walker® replacement parts.

ELECTRICAL ASSEMBLY

ITEM NO.	PART NO.	DESCRIPTION	NO. REQ'D	ITEM NO.	PART NO.	DESCRIPTION	NO. REQ'D
Electrical Assembly				29	5942-4	PTO Safety Switch (NO)	1
1	6105-3	Harness Clip	3	30	8960-15	Ignition Switch W/Keys (Includes Items # 38, 39 & F349)	1
2	2103-8	Adapter Harness	1	31	8536-2	Warning Horn Assembly	1
3	7306-11	Switch (205 Deg. 3/8-18 NPT)	1	32	8996-9	Red Indicator Light Assembly	3
4	6941-7	Relay Mount	*	33	8990-1	Hourmeter (Global)	1
5	6941-6	Relay Switch 20/40 Amp	*	34	8996-13	Glow Plug Light Assembly, Green	1
6	NS	Glow Plug Controller / Timer (Kohler)	1	35	7941-3	Boot, Circuit Breaker	2
7	7948-6	Time Delay Module	1	36	7941-2	Circuit Breaker (10 Amp)	1
8	7948-2	Time Delay Harness	1	37	7941-5	Circuit Breaker (7 Amp)	1
9	5941-2	Safety Switch	1	38	7854	Plastic Tip, Red	1
10	8941	Circuit Breaker (30 Amp) (Auto Reset/Sealed)	2	39	8960-3	Key Set W/Umbrella	1
11	8440-3	Jumper Wire	2	Fasteners			
12	7941	Circuit Breaker (40 Amp) (Auto Reset/Sealed)	1	F002	10-24 Keps Nut		24
13	7433-2	Resistor, 50 Watt .4 OHM 1%	1	F004	1/4-20 Keps Nut		3
14	7433-3	Resistor Mount	1	F009	5/16-18 Whiz Locknut		3
15	NS	Regulator/Rectifier (Kohler)	1	F019	1/4-20 ESNA Wing Nut		2
16	2940-9	Ground Wire (8")	1	F025	10-24 x 3/8 PPHMS		2
17	2940-3	Battery Cable (14")	1	F026	10-24 x 1/2 PPHMS		22
18	7428-2	Fan Control Module W/P Plug	1	F029	1/4-20 x 1/2 Hex Bolt		1
19	5932	Battery Terminal Insl., Blk (-)	1	F031	1/4-20 x 5/8 Hex Bolt		2
20	5975-1	Cable Tie (18# x 3-3/4")	2	F034	5/16-18 x 3/4 Hex Bolt		3
21	2940-2	Battery Cable (22")	1	F050	1/4 SAE Washer		2
22	5844	Battery Hold-Down Bar	1	F145	4-40 Keps Nut		2
23	5839	Hook Bolt	2	F232	10-32 Keps Nut		6
24	5933	Battery Terminal Insl., Red (+)	1	F349	Washer .835 ID 1.122 OD, SS		1
25	NS	Battery (12V/340CCA/Wet)	1	F491	4-40 x 3/8 PPHMS		2
26	7833	Cable Clamp (7/8 x 1/4)	2	* Service Part Only			
27	5833	Cable Clamp (1/4)	1				
28	2940-17	Wire Harness	1				

ELECTRICAL ASSEMBLY

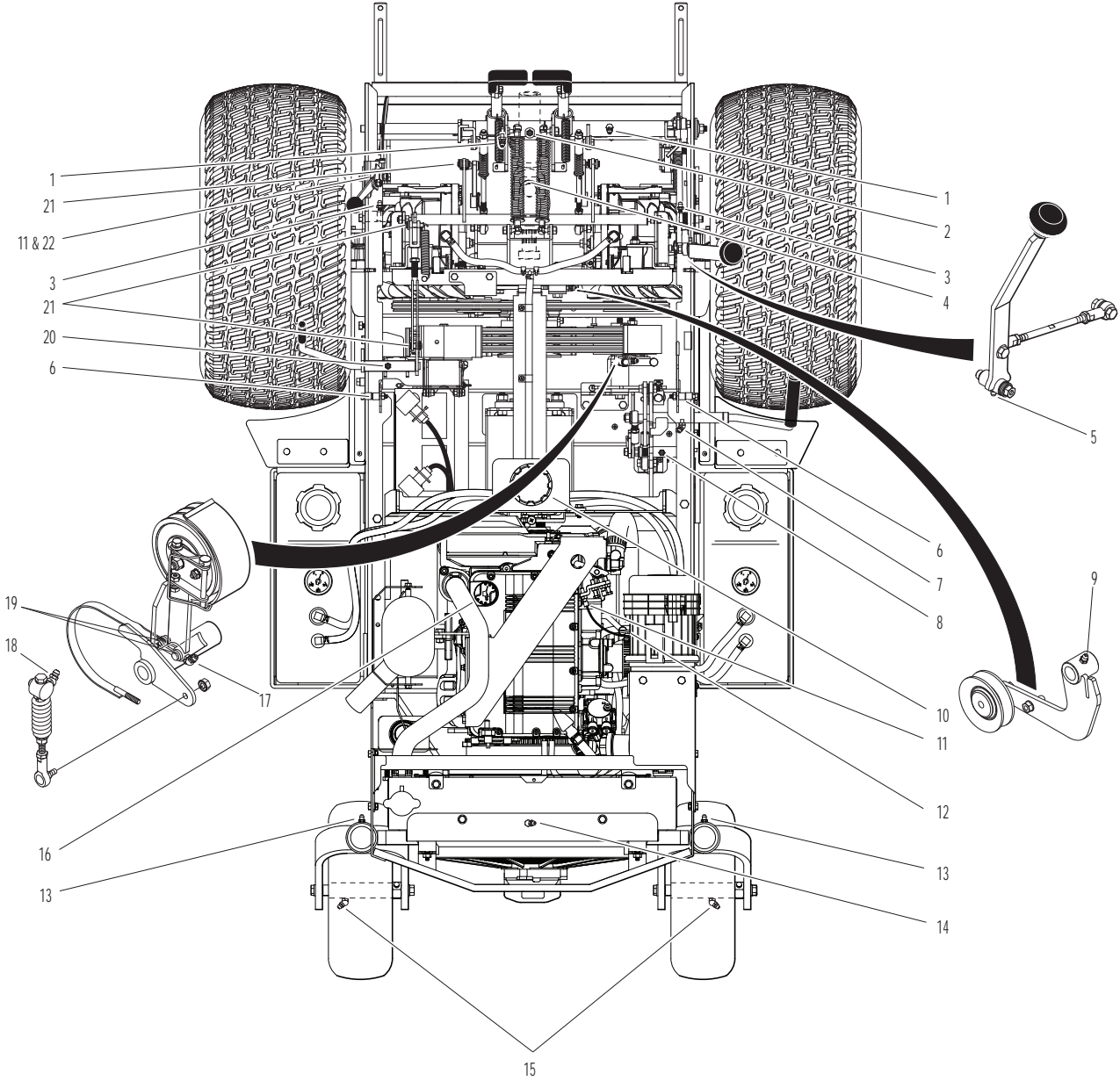


Beginning S/N 141635
Effective Date 07-20-16
Use only genuine Walker® replacement parts.

LUBRICATION POINTS

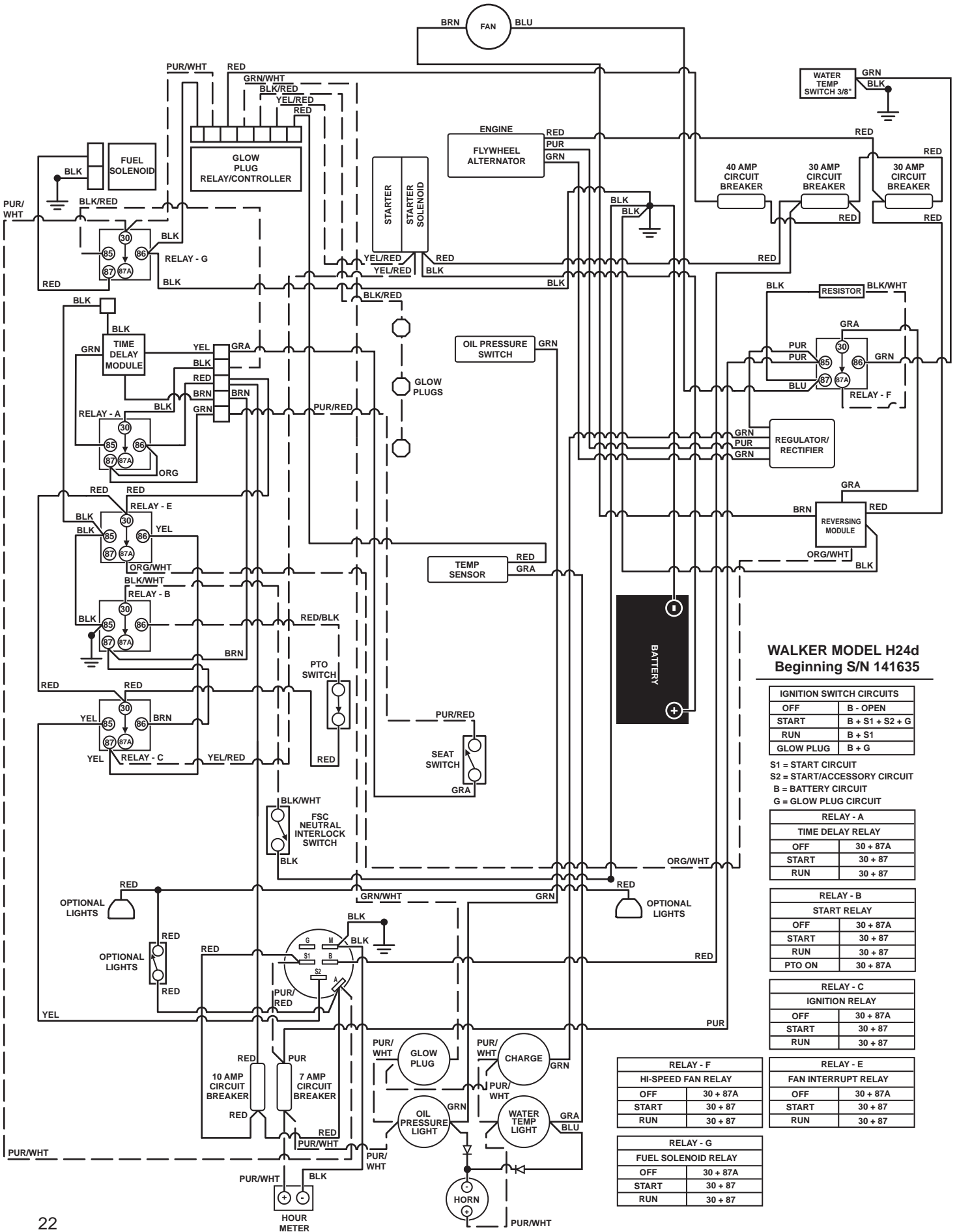
ITEM NO.	LOCATION	LUBRICATION TYPE	NO. PLACES	ITEM NO.	LOCATION	LUBRICATION TYPE	NO. PLACES
Lubrication Points							
1	Steering Lever Pivot	Grease	2	15	Rear Wheel Bearing	Grease	2
2	Deck-to-PTO Coupling (Grease Spline Slide Area)	Grease	1	16	Engine / Oil Filler	Oil**	1
3	Deck Support Arm Pivot	Grease	2	17	PTO Belt Tightener Pivot	Grease	1
4	Universal Joint Tube Assembly	Grease*	1	18	Clutch Actuator Push Rod	Grease	1
5	FSC Lever Pivot	Grease	1	19	Brake Band Pivot Pins (Clevis)	Oil	2
6	Body Latch Pivot	Oil	2	20	Parking Brake Pivot	Grease	1
7	PTO Clutch Lever Pivot	Grease	1	21	Parking Brake Clevis	Oil	3
8	Clutch Arm Pivot	Grease	1	22	Throttle Control Pivot	Oil	1
9	Hydro Idler Arm Pivot	Grease	1	* Grease every 25 hours.			
10	Transaxle Oil Reservoir	Oil	1	** Refer to H24d Operator's Manual for procedure for checking and changing oil in Engine Crankcase.			
11	Throttle Control Cable Ends	Oil	2	NOTE: See Model H24d Operator's Manual (P/N 2000-15) for proper lubrication intervals.			
12	Engine Dipstick	Oil**	1				
13	Tail Wheel Caster Fork Pivot	Grease	2				
14	Rear Wheel Pivot	Grease	1				

LUBRICATION POINTS



Beginning S/N 141635
Effective Date 07-20-16
Use only genuine Walker® replacement parts.

WIRING SCHEMATIC



WALKER MODEL H24 Beginning S/N 141635

IGNITION SWITCH CIRCUITS	
OFF	B - OPEN
START	B + S1 + S2 + G
RUN	B + S1
GLOW PLUG	B + G

S1 = START CIRCUIT
 S2 = START/ACCESSORY CIRCUIT
 B = BATTERY CIRCUIT
 G = GLOW PLUG CIRCUIT

RELAY - A TIME DELAY RELAY	
OFF	30 + 87A
START	30 + 87
RUN	30 + 87

RELAY - B START RELAY	
OFF	30 + 87A
START	30 + 87
RUN	30 + 87
PTO ON	30 + 87A

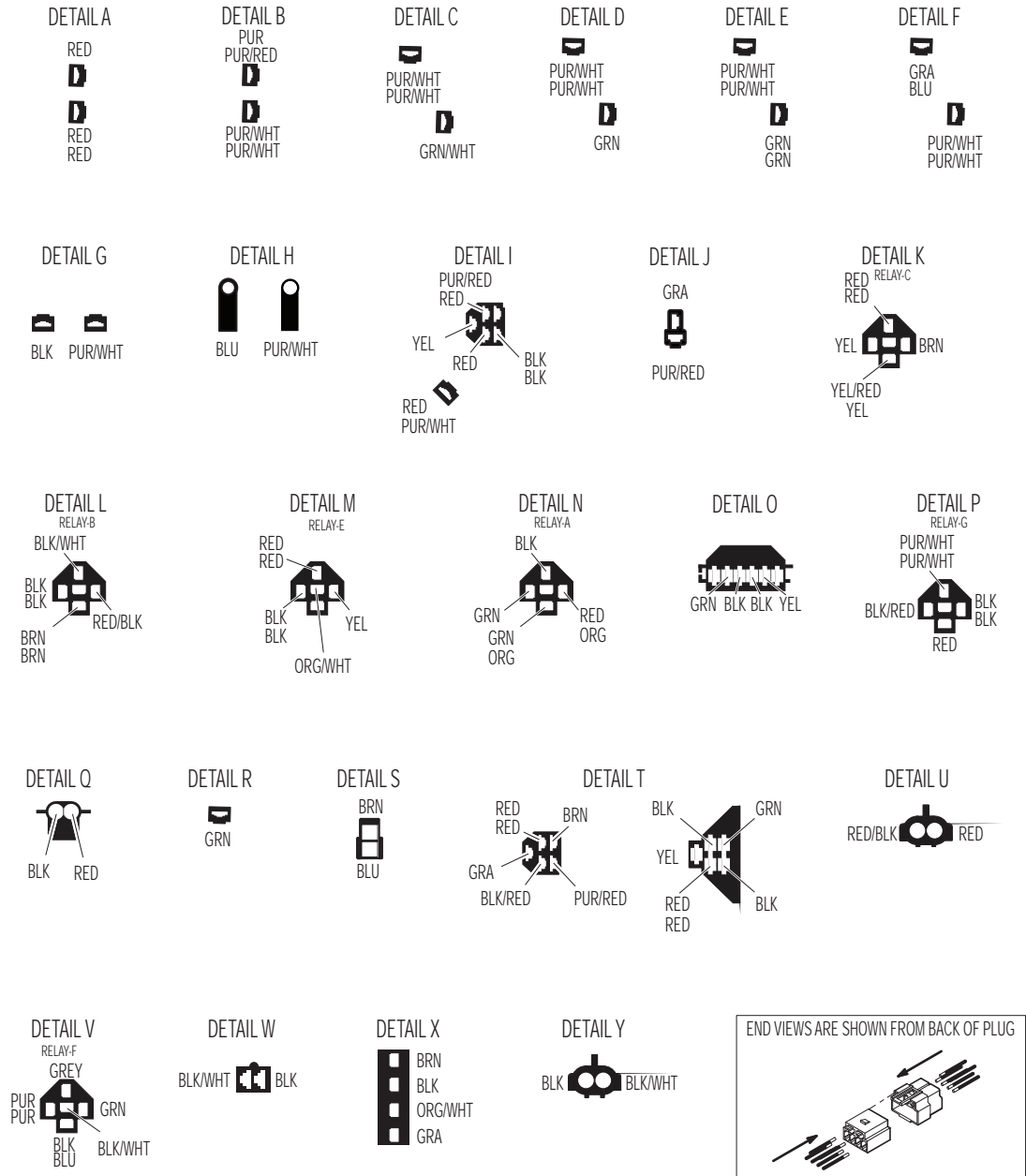
RELAY - C IGNITION RELAY	
OFF	30 + 87A
START	30 + 87
RUN	30 + 87

RELAY - F HI-SPEED FAN RELAY	
OFF	30 + 87A
START	30 + 87
RUN	30 + 87

RELAY - E FAN INTERRUPT RELAY	
OFF	30 + 87A
START	30 + 87
RUN	30 + 87

RELAY - G FUEL SOLENOID RELAY	
OFF	30 + 87A
START	30 + 87
RUN	30 + 87

ELECTRICAL ASSEMBLY (CONNECTIONS)



LIMITED WARRANTY FOR WALKER MODEL H24d RIDER MOWER

1. WHAT THIS WARRANTY COVERS, AND FOR HOW LONG:

Walker Manufacturing company will, at its option, repair or replace, without charge, any part covered by this warranty which is found to be defective in material and/or workmanship within one (1) year* after date of sale to the original retail purchaser unless the product is used for rental purposes, in which case this warranty is limited to ninety (90) days. At Walker's request, customer will make the defective part available for inspection by Walker and/or return the defective part to Walker, transportation charges prepaid. All parts and components of the Walker Mower are covered by this warranty **except** the following components which are warranted separately by their respective manufacturers:

Kohler Engine
Hydro-Gear Transaxles
Battery
Tires

The available warranties covering these items are furnished with each mower. Walker does not assume any warranty obligation, liability or modification for these items, which are covered exclusively by the stated warranty of the respective manufacturers noted above.

* Extended warranties are offered for the following powertrain components:

- A three (3) year or 3000 hour (whichever comes first) warranty is offered for Hydro-Gear ZT3400 Hydrostatic transaxle; covers full cost of replacement up to 1000 hours of use, and after 1000 hours warranty coverage is prorated against 3000 hours.

2. WHAT THIS WARRANTY DOES NOT COVER:

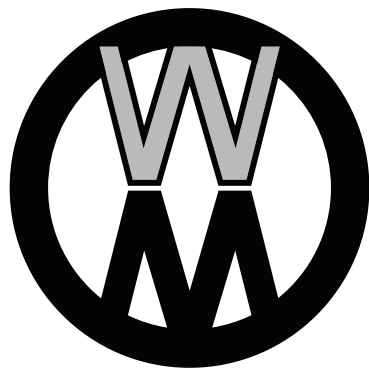
- A. This warranty does not cover defects caused by depreciation or damage caused by normal wear, accidents, improper maintenance, improper use or abuse of the product, alterations, or failure to follow the instructions contained in the Operator's Manual for operation and maintenance.
- B. The customer shall pay any charges for making service calls and/or for transporting the mower to and from the place where the inspection and/or warranty work is performed.

3. HOW TO OBTAIN SERVICE UNDER THIS WARRANTY:

Warranty service can be arranged by contacting the dealer where you purchased the mower or by contacting Walker Manufacturing Company, 5925 East Harmony Road, Ft. Collins, CO 80528. Proof of the date of purchase may be required to verify warranty coverage.

4. WARRANTY LIMITATION:

- A. **THERE IS NO OTHER EXPRESS WARRANTY. ANY WARRANTY THAT MAY BE IMPLIED FROM THIS PURCHASE INCLUDING MERCHANTABILITY AND FITNESS FOR A PARTICULAR PURPOSE IS HEREBY LIMITED TO THE DURATION OF THIS WARRANTY AND TO THE EXTENT PERMITTED BY LAW ANY AND ALL IMPLIED WARRANTIES ARE EXCLUDED.** Some states do not allow limitations on how long an implied warranty lasts, so the above limitations may not apply to you.
- B. **WALKER WILL NOT BE LIABLE FOR ANY INCIDENTAL, CONSEQUENTIAL, OR SPECIAL DAMAGES AND/OR EXPENSES IN CONNECTION WITH THE PURCHASE OR USE OF THE MOWER.** Some states do not allow the exclusion or limitation of incidental or consequential damages, so the above limitation(s) or exclusion(s) may not apply to you.
- C. Only the warranty expressed in this limited warranty shall apply and no dealer, distributor, or individual is authorized to amend, modify, or extend this warranty in any way. Accordingly, additional statements such as dealer advertising or presentations, whether oral or written, do not constitute warranties by Walker, and should not be relied upon.
- D. This warranty gives you specific legal rights, and you may also have other rights which vary from state to state.



WALKER

WALKER MFG. CO. • 5925 E. HARMONY ROAD, FORT COLLINS, CO 80528 • (970) 221-5614
FORM NO. 121216 PRINTED IN USA www.walkermowers.com ©2016 WALKER MFG. CO